



IDC PRO 255

Illustrated Parts List



Release Date: August 03, 2017

Publication Number: 621058578IPL

Revision Date: January 15, 2025

Revision: G



**Marmon Foodservice
Technologies**

A Berkshire Hathaway Company

Visit the Cornelius web site at www.cornelius.com for all your Literature needs.

The products, technical information, and instructions contained in this manual are subject to change without notice. These instructions are not intended to cover all details or variations of the equipment, nor to provide for every possible contingency in the installation, operation or maintenance of this equipment. This manual assumes that the person(s) working on the equipment have been trained and are skilled in working with electrical, plumbing, pneumatic, and mechanical equipment. It is assumed that appropriate safety precautions are taken and that all local safety and construction requirements are being met, in addition to the information contained in this manual.

This Product is warranted only as provided in Cornelius' Commercial Warranty applicable to this Product and is subject to all of the restrictions and limitations contained in the Commercial Warranty.

Cornelius will not be responsible for any repair, replacement or other service required by or loss or damage resulting from any of the following occurrences, including but not limited to, (1) other than normal and proper use and normal service conditions with respect to the Product, (2) improper voltage, (3) inadequate wiring, (4) abuse, (5) accident, (6) alteration, (7) misuse, (8) neglect, (9) unauthorized repair or the failure to utilize suitably qualified and trained persons to perform service and/or repair of the Product, (10) improper cleaning, (11) failure to follow installation, operating, cleaning or maintenance instructions, (12) use of "non-authorized" parts (i.e., parts that are not 100% compatible with the Product) which use voids the entire warranty, (13) Product parts in contact with water or the product dispensed which are adversely impacted by changes in liquid scale or chemical composition.

Contact Information:

To inquire about current revisions of this and other documentation or for assistance with any Cornelius product contact:

www.marmonfoodservice.com

www.cornelius.com

800-238-3600

Trademarks and Copyrights:

This document contains proprietary information and it may not be reproduced in any way without permission from Cornelius.

This document contains the original instructions for the unit described.

MARMON FOODSERVICE TECHNOLOGIES INC

355 Kehoe Blvd

Carol Stream, IL

Tel: + 1 800-238-3600

Printed in U.S.A.

EQUIPMENT REGISTRATION



Thank you for purchasing your equipment from the Marmon Foodservice Technologies family of brands. From technical support to warranty dispatch to replacement parts sales, Marmon Link provides your entire after-sales support for Cornelius, Prince Castle, Silver King, and Angelo Po America equipment.

Registering your equipment will help us keep you up to date on equipment information, preventative maintenance resources, and other topics. Your equipment's warranty will not be affected if you choose to not fill out this form.

To expedite the process, we ask that you have the following:

- The serial numbers of the equipment you purchased.
- The name and email address for a designed store contact.
- The general store information, including address location number.

REGISTER YOUR EQUIPMENT

To Maximize Your Benefits

- Comprehensive after-sales service
- Over the phone technicians
- Quick-ship parts

Complete with:

- Serial Number
- Equipment location details



Your equipment serial number will be validated against our database of existing serial numbers. If you are having difficulties entering a valid number, please contact Marmon Link at **1-866-275-6392**.

TABLE OF CONTENT

Cladding Components and Overall Assembly Detail	1
Hinge Assembly	2
Electrical Box Assembly	3
Ice Dispensing Assembly Detail	4
Beverage Valve And Nozzle System Detail	5
Beverage Valve System Detail	6
Beverage Panel Assembly Detail	7
Carbonator Tank Assembly Detail (If Applicable)	8
Pump and Motor Assembly Detail	9
Door Assembly-620064948	10
Valve Assembly	11
Syrup Valve Body Assy, MFV - 620056892S	12
Water Valve Body Assy, MFV - 620056892W210 & 620056892W90	12
Flavor Valve Body Assy, MFV - 620056892F	12
Body Valve Syrup Assy, MFV Ref - 620065886S	13
Body Valve Water Assy, MFV Ref - 620065886W	13
Body Valve Flavor Assy, MFV - 620056892F	13
Accessories	14

CLADDING COMPONENTS AND OVERALL ASSEMBLY DETAIL

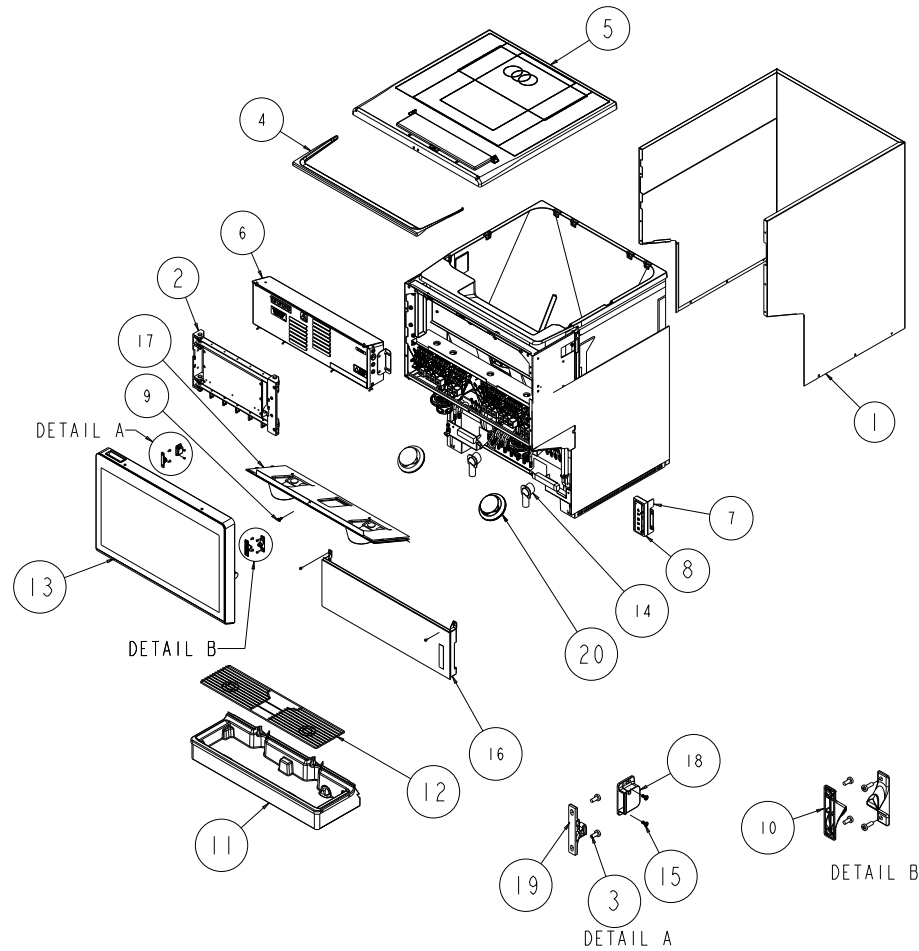


Figure 1. Cladding Components And Overall Assembly Detail

Table 1: Cladding Components

Item No.	Part No.	Description
1	620062110	Wrap IDC Pro 255
2	620063662	Hinge Assembly IDC Pro 255
3	70171	Screw MA 08-32 TRPH 12 SS
4	620058932	Frame Top Insert IDC Pro 255
5	620061537	Lid Adapter Assy IDC Pro 255
6	620061837	E-box Assy, High-end
	620065146	Box Elec Assy 220V
7	620062108	Board ADA Assy IDC Pro 255
8	620062306	Gasket ADA IDC Pro 255
9	620062633	Screw #10-32 x 5/8" Thumb
10	620064459	Latch Door IDC pro 255
	620065485	Door Latch Kit
11	629097693	Kit Drip tray Assy W\Drain boot
	620070585	Drip tray Assy IDC pro 255
12	620058904	Cup-rest IDC Pro 255
13	620064948	Door Assembly IDC Pro 255
14	620072401	Boot Cold plate Drain

Table 1: Cladding Components

15	620062645	Screw MA 04-40 (for 720704004)
	161168000	Screw MA 08-32 (for 620061953)
16	620062399	Splash Panel Assy IDC Pro 255
	620062408	Splash Panel Assy Z Style
17	620061986	Panel, Under-panel Assy
18	720704004	Catch cabinet female
	620061953	Catch magnetic sealed 6.6#
19	720704005	Latch Door Male
20	620516645	Cover Cold plate Access
*	620064625	Plate Latch shim IDC pro 255
*	620068747	Shim Door Wrapper IDC Pro (Magnetic latch to be used with P/N: 620061953)
*	620057826-005	Cable USB Type A To Molex ADA
*	629097436	Kit Z-style REF255 Pro
*	620062583	Kit Drip tray (Conversion Kit)
*	620047378	Drain Tube Drip Tray IDC Pro 255
	629097006	Drain Tube Z-Style IDC Pro 255

* Indicates Not Shown

HINGE ASSEMBLY

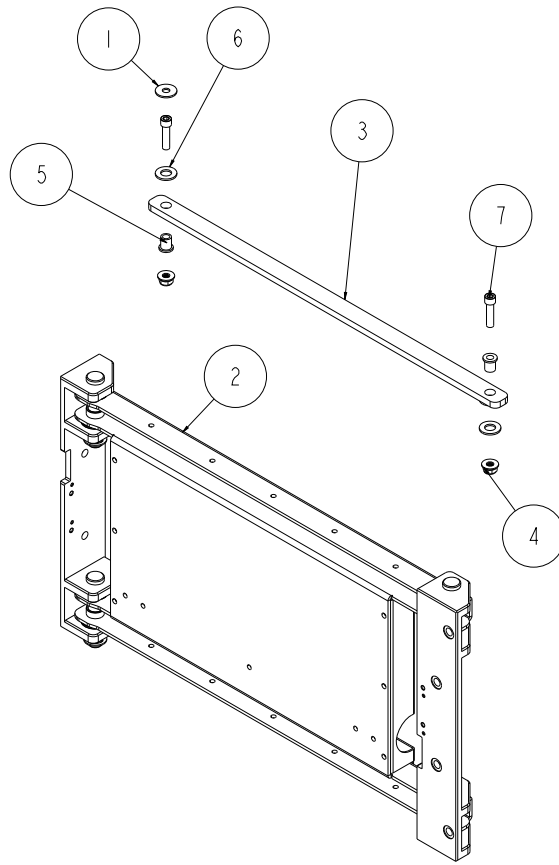


Figure 2. Hinge Assembly

Table 2: Hinge Assembly

Item No.	Part No.	Description
1	70066	Washer 3/4 OD x .265ID
2	620062252	Frame structure assy IDC Pro255
3	620063666	Arm Hinge Guide IDC Pro 255
4	620064499	Nut Flng 1/4-20 Zinc Nyloc
5	620064797	Bearing Flg Sleeve 3/8OD x 1/2L
6	620064798	Washer 3/4 OD x 3/8 ID IDC Pro 255
7	620720590	Screw - 1/4-20 SHCS Self locking 32 SS

ELECTRICAL BOX ASSEMBLY

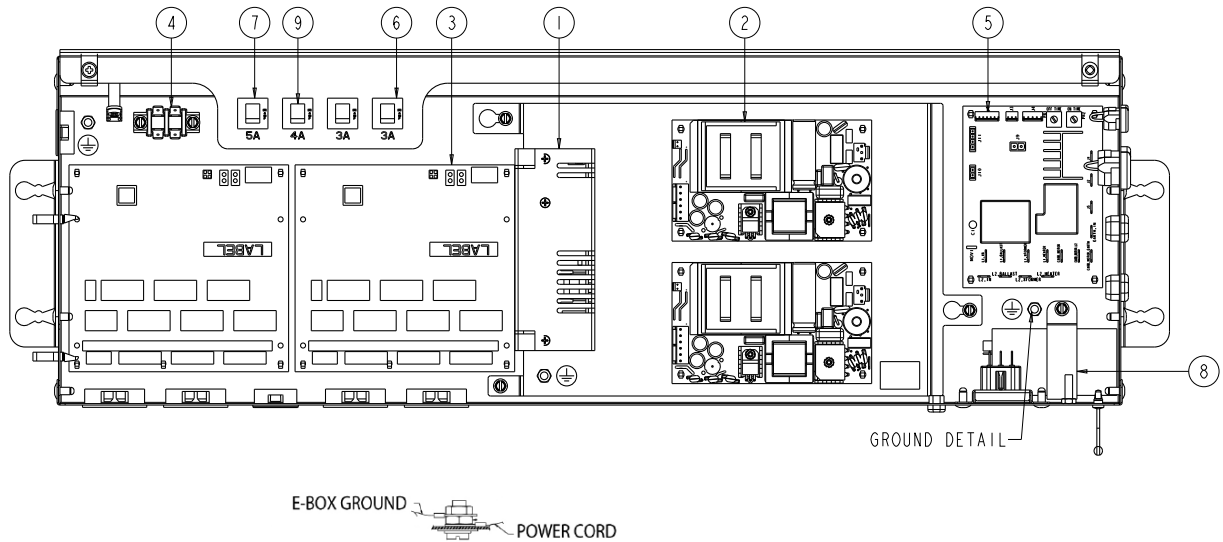


Figure 3. Electrical Box Assembly

Table 3: Electrical Box Assembly

Item No.	Part No.	Description
1	620057649-001	Pwr-supply 90-265VAC 250W 12 & 24VDC
2	620057649-023	PWR-Supply SMPS 275W, 30V
	325925000	Support PC Board 3/8
3	620057808-400	Board Assy MFV 10B/4F/4W No Relay
4	187876000	Block Term 4 Spade Con
5	620314825-100	Board Agitator PCB W/safety Functions, w/ interlock jumper
	620062577	Interlock Jumper
6	620058545-003	Breaker 3A Circuit Breaker

Table 3: Electrical Box Assembly

7	620058545-002	Breaker 5A Circuit Breaker
8	560002379	Capacitor Run 20 MFD (115V)
	620314324	Capacitor Run 3.5MFD (230V)
9	620058545-001	Breaker 4A Circuit Breaker
10	620057826-013	Harn Cable USB Male Type A to Type B 1.5m
11	620061906	Harn DC UI Dual Voltage
12	620062568-005	Cord Power, RA IEC60320-C13 to NEMA 5-15 12ft
	620062568-006	Cord Power RA IEC60320-C13 to CEE 7/7 12ft, 220V
*	620057864-003	Harn Led Downlight 42"

* Indicates Not Shown

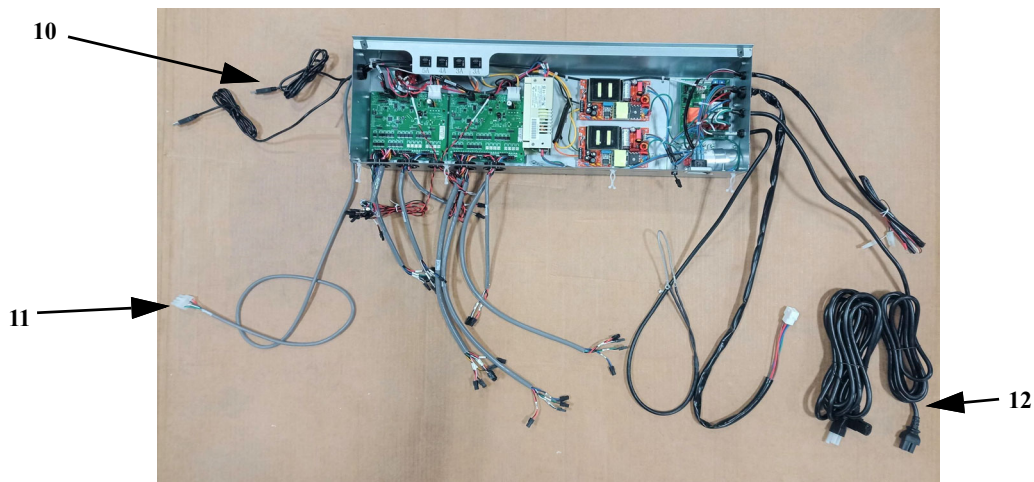


Figure 4. Electrical Box Assembly Detail

ICE DISPENSING ASSEMBLY DETAIL

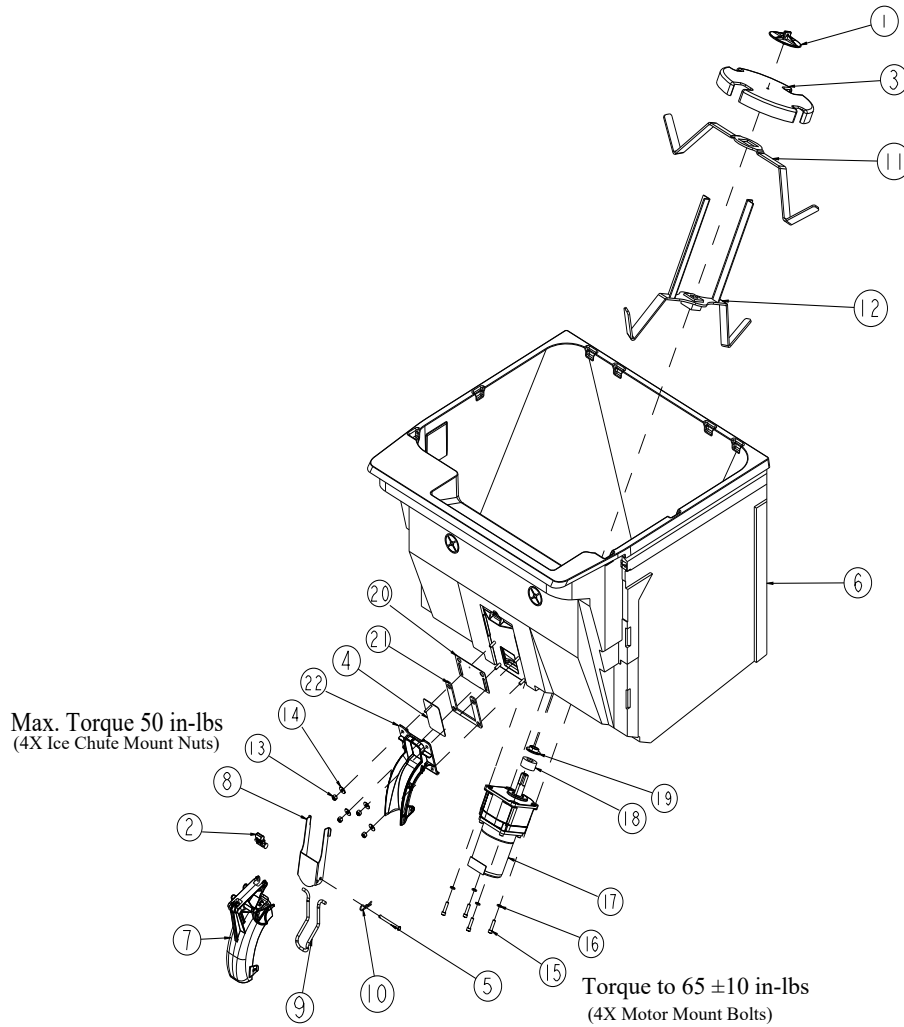


Figure 5. Ice Dispensing Assembly

Table 4: Ice Dispensing Assembly

Item No.	Part No.	Description
1	15087	Retainer Agitator
2	620314527	Sensor Position Ice Chute IDC
3	620042770	Agitator Disk
4	620048706	Gate Ice IDC
5	620051502	Clevis Pin 25 Dia X 2.75 Long
6	620063681	Hopper Agitator Motor Assy
7	620518535	Chute Ice Lower IDC
8	620709346	Lever Ice Chute Bracket
9	620709353	Lever Ice Chute Asy Wireform NGF/IDC/CF/FF
10	620709432	Pin- Hairpin Cotter 18-8SS IDC
11	740002228	Agitator Arm 1
12	740002227	Agitator Arm 2
13	620709132	Nut- Hex 1/4-20 SS Nylock
14	70066	Washer Ft 265 750 055

Table 4: Ice Dispensing Assembly

15	620720590	Screw- 1/4-20 SHCS Self-locking 32 SS
16	186294000	Washer LK 262 489 062 SSPA 250
17	740002816	Service Motor 115v (Without Gear Box)
	740002817	Service Motor 230v (Without Gear Box)
	620068668	Gear Motor, Agitator 115v
	620071056-01	Gear Motor, Agitator 230V
18	620711105	Gear Box Shaft Seal
19	52876	Gear Box Shaft Gasket
20	620518908	Plate Ice Gate Restrictor IDC
21	620710129	Gasket Ice Chute IDC Low Duro
22	620518536	Chute Ice Mech Asy IDC
*	620711940	Insulation Gear Motor Adapter Plate Jrd
*	30794	Heater Agit Mtr 2230ak6
*	620050388	Brace Long IM Adapt Kit FF/IDC (2X For set)
*	620050389	Brace Long IM Adapt Kit FF/IDC Flat

* Indicates Not Shown

BEVERAGE VALVE AND NOZZLE SYSTEM DETAIL

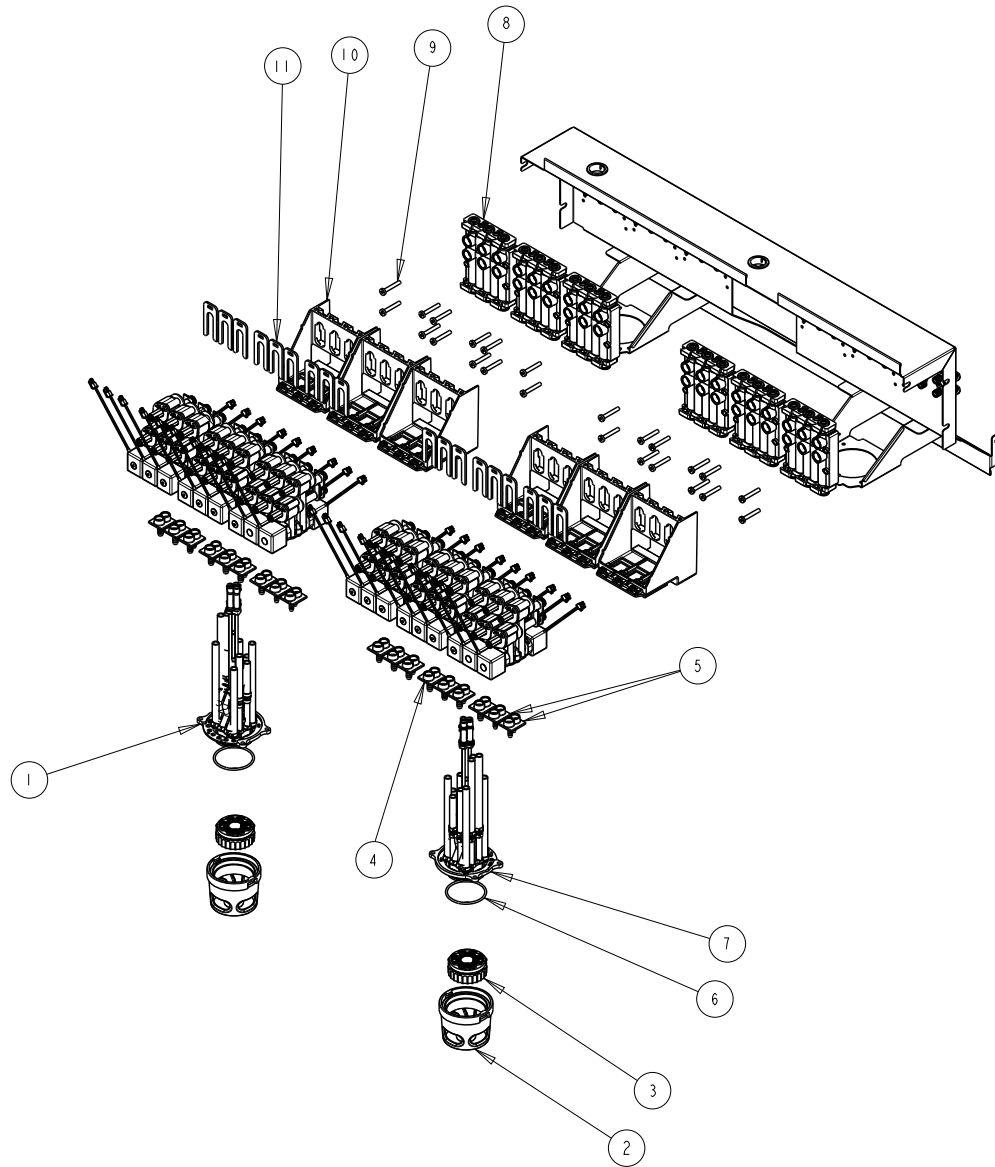


Figure 6. Beverage Valve and Nozzle System

Table 5: Beverage Valve and Nozzle System

Item No.	Part No.	Description
1	620062307	Manif Nozzle Assy 10 X 4
	620066260	Nozzle Assy LH IDC Pro 255McD
2	620062705	Housing Asy Nozzle Outer Multi Fl IDC Pro 255
3	620062012	Diffuser W/Over mold seal MFV Nozzle, Gen 5
4	620063628	Adapter Barb 1/4" Tubing MFV IDC Pro 255
5	620063627	Adapter Barb 3/16" Tubing MFV IDC Pro 255
6	620716317	Ring 2.050" 103cs 65-70 Duro

Table 5: Beverage Valve and Nozzle System

7	620064189	Nozzle Assy 10/4/4 RH IDCPro255
	620066259	Nozzle Assy Rh IDC Pro255McD
8	620056838	Block Back 3x2 W/shutoff MFV
9	620700601	Screw, 10-16 Thread Forming Sheet metal Phillips Head SS, 1.25 Long 24
10	620057858	Base 3 Module MFV
11	620058297	Clip Valve Module MFV
*	629097448	Kit Flow Controls Hydiet
*	629097551	IDC Pro Nozzle And Diffuser Kit

* Indicates Not Shown

BEVERAGE VALVE SYSTEM DETAIL

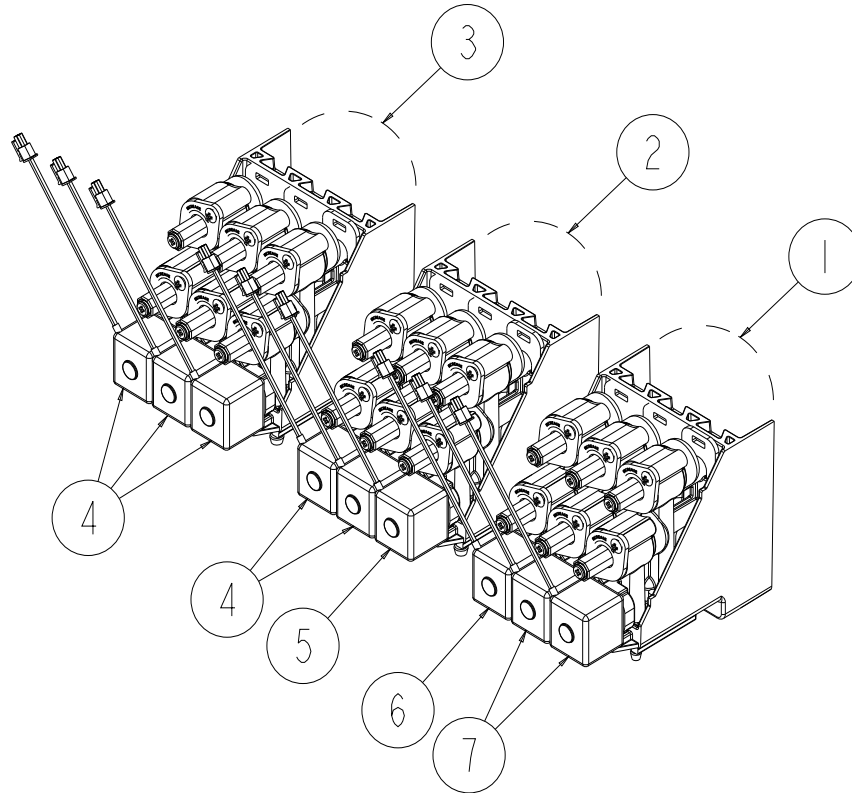


Figure 7. Beverage Valve system

Table 6: Beverage Valve system

Item No.	Part No.	Description
1	620058272-019	Valve Assy 2 x 3 - 2 W90 Water + 4 Flavor
	620065917-004	Valve Assy 2 x 3 - 2 Open slot +4 Flavor (McD)
2	620058272-018	Valve Assy 2 x 3 - 4 HY Brand + 2 W210 Water
3	620058272-017	Valve Assy 2 x 3 - 6 HY Brand
4	620056892S	Syrup MFV
	620065886S	Syrup MFV (McD)
5	620056892W210	Water MFV - High Flow
	620065886W	Water MFV (McD)
6	620056892W90	Water MFV - Low Flow
7	620056892F	Flavor MFV

BEVERAGE PANEL ASSEMBLY DETAIL

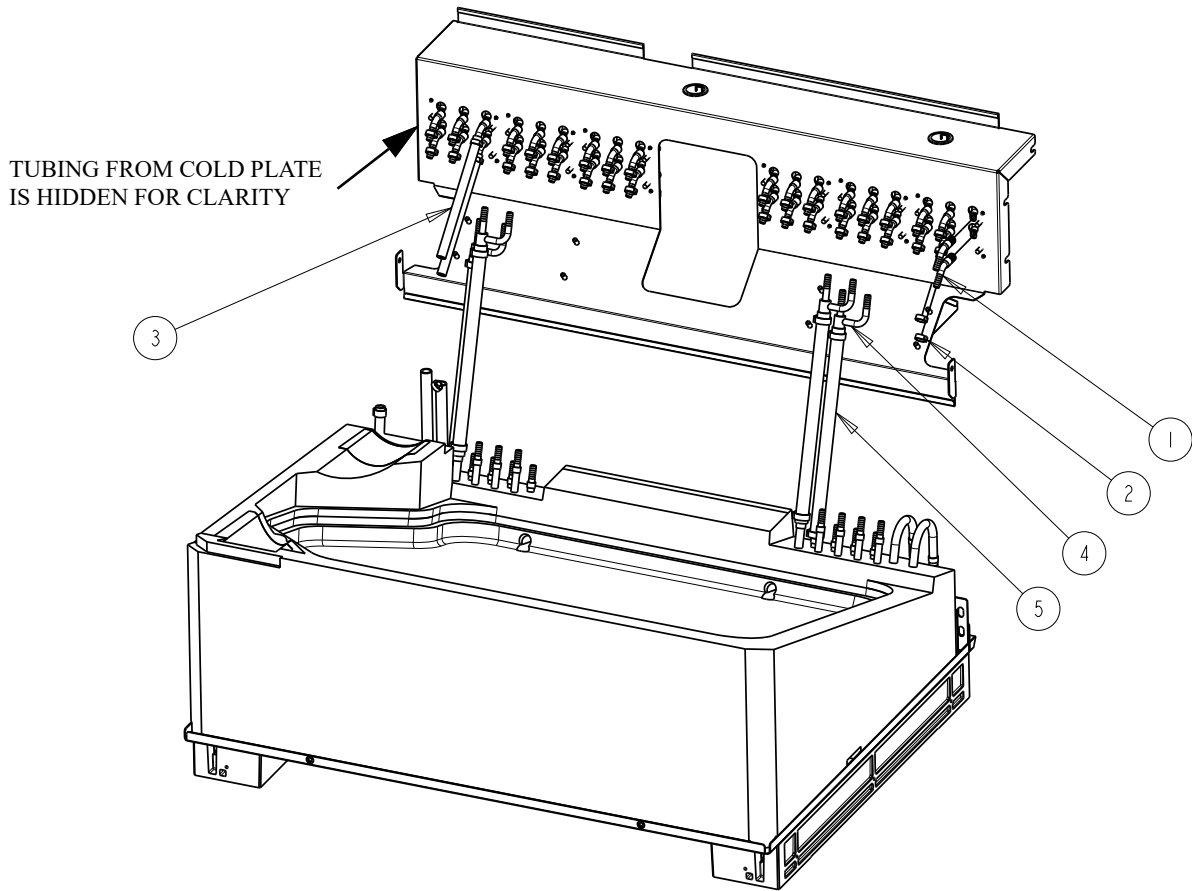


Figure 8. Beverage Panel Assembly

Table 7: Beverage Panel Assembly

Item No.	Part No.	Description
1	620058126	Fitg 45 Deg Barbed (incl. o-ring)
2	311908000	Clamp oetr 445open Stpls #11.3
3	620717791	Tubg Sg 265ID X 420 300' Taste Rite Braided
4	77900800	Fitg Y-brb 1/4(2) X 3/8brb SS
5	620717792	Tubg SG 375ID X 535 taste Rite Braided
*	50163	Armaflex,3/8 ID X 3/8 W X 72"
*	50249	Tubg Insul 1/2ID X 3/8WL X 6'

* Indicates Not Shown

CARBONATOR TANK ASSEMBLY DETAIL (IF APPLICABLE)

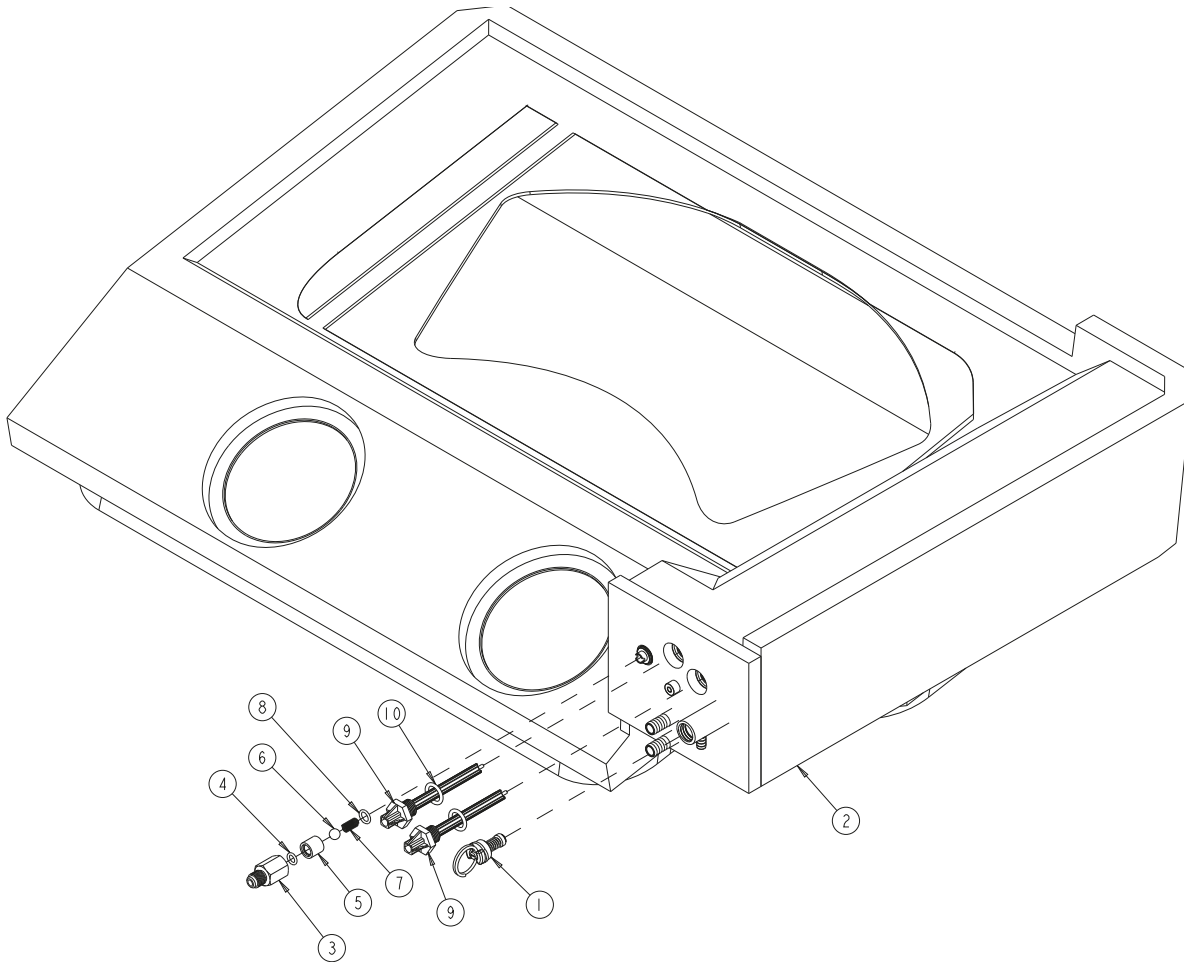


Figure 9. Carbonator Tank Assembly

Table 8: Carbonator Tank Assembly

Item No.	Part No.	Description
1	630001122	Valve Relief Asy Black
2	620043354	Cold plate Cover foamed
3	770000743	Valve Chk Body
4	317015000	O-Ring .239" ID .070" CS 70 DU EY-P
5	64686	Check Valve Sleeve SS

Table 8: Carbonator Tank Assembly

6	64560	Check Valve Ball .3125" SS
7	64678	Spring
8	150058000	O-Ring .301" ID .070" CS 70 DU EY-P
9	620607108	Liquid Level Control Probe: Must be Purchased w/ Item 10 (O-Ring)
10	31525007	O-Ring .488" ID 103 CS 60 DU BU-N
*	65259	KIT valve chk snl service

* Indicates Not Shown

PUMP AND MOTOR ASSEMBLY DETAIL

(620408124-001 Pump & Motor Asy 120/60 1/3hp & 620408153-001 Pump & Motor Asy 230V 50/60)

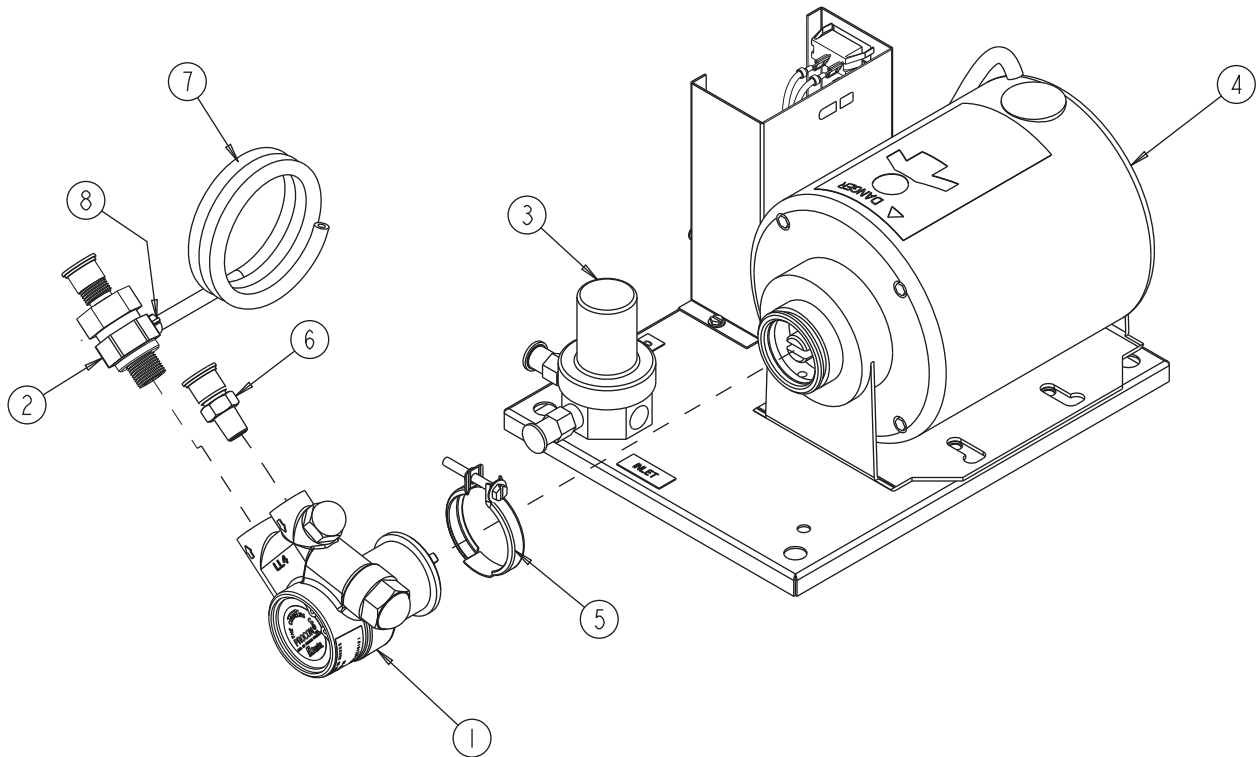


Figure 10. Pump and Motor Assembly

Table 9: Pump and Motor Assembly

Item No.	Part No.	Description
1	60170LL	Pump 125gph W/s TRN Procon Low
2	620608773	Check Valve 3/8MPT 5/8-18
3	620709802-001	Pressure Regulator 75 PSIG
4	60030058	Motor Pump 115V
	71860673	Motor Pump 220/240 Volt
5	187483000	Clamp V 2"D Pump & motor
6	111337000	Straight Fitting 3/8 MPT X 3/8 MF, Brass
7	174004000	Polyethylene Tubing .156" ID X .312" OD
8	311527000	Oetiker Clamp #8.7

DOOR ASSEMBLY-620064948

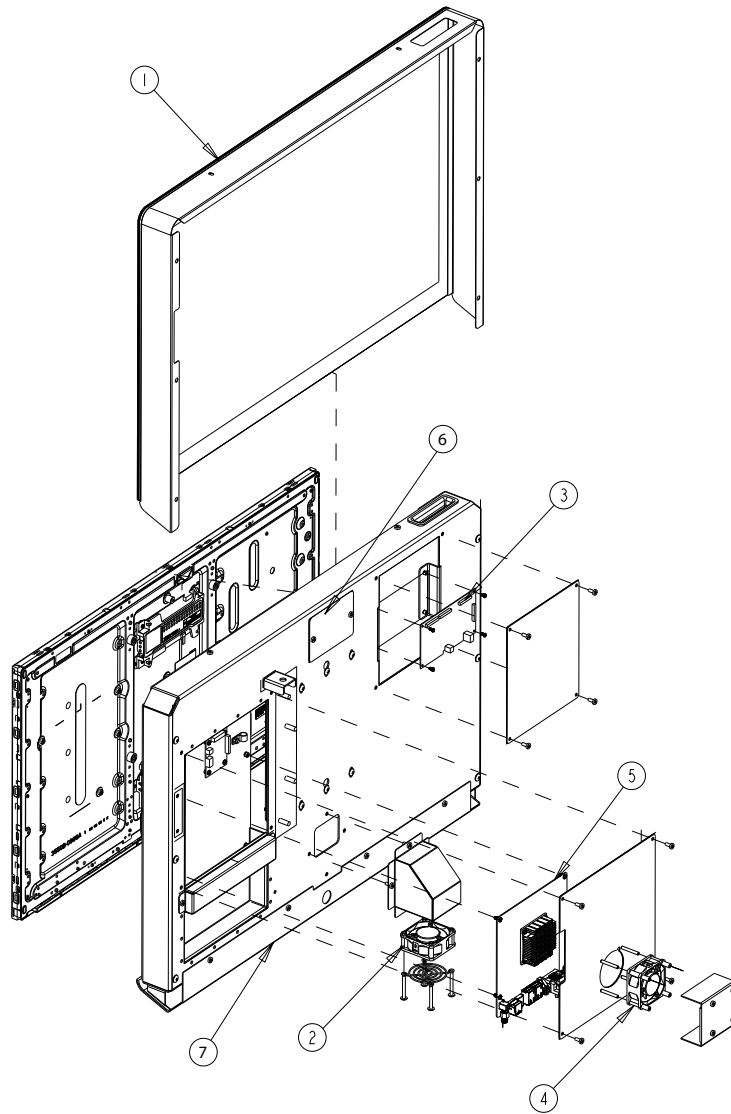


Figure 11. Door Assembly

Table 10: Door Assembly

Item No.	Part No.	Description
1	620065604	Kit Door Glass Wrapper Assy ZXY200
	629098012	Kit Door Glass Wrapper Assy ZXY500
2	620065603	Kit Door Intake Fan Assy
3	620200198	Kit Door Touch Controller ZXY200
	629098011	Kit Door Touch Controller ZXY500
4	620200199	Kit Door Exhaust Fan Assy
5	620200200	Door SBC IDC Pro 255
6	620064953-01	Cover lid sensor
7	620063678	Door Bottom Frame assy IDC PRO 255
*	620064459	Door Latch
*	70171	Screw MA 08-32 TRPH 12 SS
*	629097779	Kit service IDC pro SSD

* Indicates Not Shown

Figure 12.

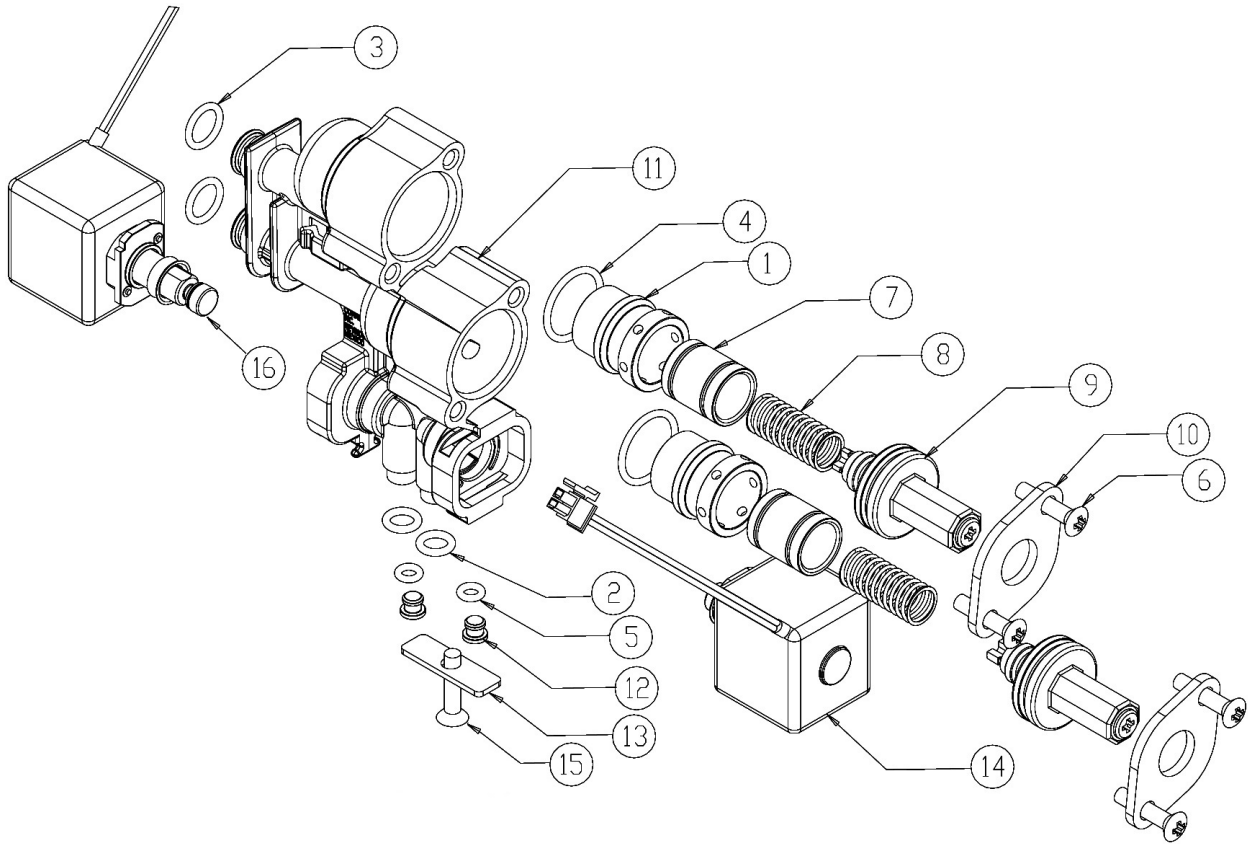
VALVE ASSEMBLY


Figure 13. Valve Assembly

NOTE: See table below to help determine which valve components to order. Valve components will vary by machine Part Number which can be

found on the label on the right side of the machine or on the E-Box cover inside the unit

Page No.	Machine Part No.	Description
12	621058667	115V Drip Tray
	621058668	115V Z-Style
13	621058671	115V McD Drip Tray
	621058672	115V McD Z-Style



SYRUP VALVE BODY ASSY, MFV - 620056892S (WHITE ADJUSTMENT SCREW, BLACK HOUSING)

Table 11: Valve Assembly

Item No.	Part No.	Description
1	1934	Cylinder F-ctrl Ceramic UF1
2	740001852	O-ring 239ID 077CS 70du E16
3	620059773	Quad-ring 364ID 070CS 70du 559
4	317816000	O-ring 676ID 070cs 70du E16
5	321544000	O-ring 145ID 070cs 65du E14
6	560001108	Screw TT 08-16 OVPH 26 SSPA
7	560006005	Piston Syr Reg Ceramic 2-4 OZ

Table 11: Valve Assembly

8	560006176	Spring Flow-ctrl UFB 2-4 OZ
9	560007207	Scw Adj UF-1 Flow Assy
10	620046317	Retainer Flow-ctrl Body Grappa
11	620056885	Body Valve MFV
12	620056965	Plug Bottom Valve Body MFV
13	620056966	Plate Valve Body MFV
14	620070042	Solenoid Asy 24V MFV Syrup
15	24232001	Screw SM 10 TB TRPH 16 SS
16	620070041	Seal Armature - Syrup side

WATER VALVE BODY ASSY, MFV - 620056892W210 (WHITE ADJUSTMENT SCREW W/GREEN DOT, WHITE HOUSING) & 620056892W90 (WHITE ADJUSTMENT SCREW W/BLUE DOT, WHITE HOUSING)

Table 12: Valve Assembly

Item No.	Part No.	Description
1	1934	Cylinder F-ctrl Ceramic UF1
2	740001852	O-ring 239id 077cs 70du E16
3	620059773	Quad-ring 364id 070cs 70du 559
4	317816000	O-ring 676id 070cs 70du E16
5	321544000	O-ring 145id 070cs 65du E14
6	560001108	Screw Tt 08-16 Ovph 26 SSPA
7	620052858	Piston Wtr Reg Crmic SFV1
	560006005	Piston Syr Reg Crmic 2-4 Oz

Table 12: Valve Assembly

8	560006176	Spring Flow-ctrl Ufb 2-4 Oz
9	560007207-1	Scw ADJ Flow Assy Crush Rib
10	620046317	Retainer Flow-ctrl Body Grappa
11	620056885	Body Valve MFV
12	620056965	Plug Bottom Valve Body MFV
13	620056966	Plate Valve Body MFV
14	620070042	Solenoid Asy 24V MFV Water
15	24232001	Screw SM 10 TB TRPH 16 SS
16	620070041	Seal Armature - Water side

FLAVOR VALVE BODY ASSY, MFV - 620056892F (WHITE ADJUSTMENT SCREW, PURPLE HOUSING)

Table 13: Valve Assembly

Item No.	Part No.	Description
1	740002075	Sleeve Cylinder F-ctrl MFV Val
2	740001852	O-ring 239id 077cs 70du E16
3	620059773	Quad-ring 364id 070cs 70du 559
4	317816000	O-ring 676id 070cs 70du E16
5	321544000	O-ring 145id 070cs 65du E14
6	560001108	Screw Tt 08-16 Ovph 26 SSPA
7	740002076	Piston Syrup MFV 30:1

Table 13: Valve Assembly

8	48258005	Spring Syrup SLJ
9	560007207-2	Scw ADJ Flow Assy O-ring
10	620046317	Retainer Flow-ctrl Body Grappa
11	620056885	Body Valve MFV
12	620056965	Plug Bottom Valve Body MFV
13	620056966	Plate Valve Body MFV
14	620070042	Solenoid Asy 24V MFV Syrup
15	24232001	Screw SM 10 TB TRPH 16 SS
16	620070041	Seal Armature - Syrup side

BODY VALVE SYRUP ASSY, MFV REF - 620065886S (GRAY ADJUSTMENT SCREW, BLACK HOUSING)

Table 14: Valve Assembly

Item No.	Part No.	Description
1	1934	Cylinder F-cntl Ceramic UF1
2	740001852	O-ring 239id 077cs 70du E16
3	620059773	Quad-ring 364id 070cs 70du 559
4	317816000	O-ring 676id 070cs 70du E16
5	321544000	O-ring 145id 070cs 65du E14
6	560001108	Screw TT 08-16 OVPH 26 SSPA
7	310480011	Piston Syr Reg Crmic

Table 14: Valve Assembly

8	1940	Spring Flow-cntl UF1
9	620720806	Screw- ADJ Flow Asy
10	620046317	Retainer Flow-cntl Body Grappa
11	620056885	Body Valve MFV
12	620056965	Plug Bottom Valve Body MFV
13	620056966	Plate Valve Body MFV
14	620070042	Solenoid Asy 24V Grappa/MFV SY
15	24232001	Screw SM 10 TB TRPH 16 SS
16	620070041	Seal Armature - Syrup side

BODY VALVE WATER ASSY, MFV REF - 620065886W (GRAY ADJUSTMENT SCREW, WHITE HOUSING)

Table 15: Valve Assembly

Item No.	Part No.	Description
1	1934	Cylinder F-cntl Ceramic UF1
2	740001852	O-ring 239id 077cs 70du E16
3	620059773	Quad-ring 364id 070cs 70du 559
4	317816000	O-ring 676id 070cs 70du E16
5	321544000	O-ring 145id 070cs 65du E14
6	560001108	Screw Tt 08-16 Ovph 26 SSPA
7	620052858	Piston Wtr Reg Crmic SFV1

Table 15: Valve Assembly

8	560006176	Spring Flow-cntl Ufb 2-4 Oz
9	620720806-2	Screw- ADJ Flow Assy Natural
10	620046317	Retainer Flow-cntl Body Grappa
11	620056885	Body Valve MFV
12	620056965	Plug Bottom Valve Body MFV
13	620056966	Plate Valve Body MFV
14	620070042	Solenoid Asy 24V Grappa/MFV WA
15	24232001	Screw SM 10 TB TRPH 16 SS
16	620070041	Seal Armature - Water side

BODY VALVE FLAVOR ASSY, MFV - 620056892F (GRAY ADJUSTMENT SCREW, PURPLE HOUSING)

Table 16: Valve Assembly

Item No.	Part No.	Description
1	740002075	Sleeve Cylinder F-cntl MFV Val
2	740001852	O-ring 239id 077cs 70du E16
3	620059773	Quad-ring 364id 070cs 70du 559
4	317816000	O-ring 676id 070cs 70du E16
5	321544000	O-ring 145id 070cs 65du E14
6	560001108	Screw Tt 08-16 Ovph 26 SSPA
7	740002076	Piston Syrup MFV 30:1

Table 16: Valve Assembly

8	48258005	Spring Syrup SLJ
9	560007207-2	Screw ADJ Flow Assy O-ring
10	620046317	Retainer Flow-cntl Body Grappa
11	620056885	Body Valve MFV
12	620056965	Plug Bottom Valve Body MFV
13	620056966	Plate Valve Body MFV
14	620070042	Solenoid Asy 24V Grappa/MFV SY
15	24232001	Screw SM 10 TB TRPH 16 SS
16	620070041	Seal Armature - Syrup side

ACCESSORIES

Table 17: Accessories

Item No.	Part No.	Description
1	620064642	Bottle Novus No.2 Fine Scratch Remover
2	620064585	Misc. Data Stick 4gb USB
3	620920419	Kit Ice Slide IDC 215/255
4	629097238	Kit IDC 215/255 Ice Slide And Diverter
5	620054386	Cup Brix 10 oz (5.0:1/ 5.5:1/ 6.0:1/ 8.5:1) High yield
	0858	Cup Brix Prop 5.25:1/4.75:1 CC
6	620064991	USB Config Gen IDC Pro255
	620064981	USB Config McD IDC Pro255
	620066633	USB Config Subway IDC Pro255
7	620065686	USB Security Dongle IDC Pro 255

* SECURITY DONGLE “KEY” AVAILABLE UPON APPROVED REQUEST, PLEASE CONTACT CORNELIUS OR 3WIRE FOR AVAILABILITY.

Marmon Foodservice Technologies Inc.

www.marmonfoodservice.com

www.cornelius.com