



IDC 2XX WITH COLD CARBONATION

ILLUSTRATED PARTS LIST



Release Date: June 27, 2006

Publication Number: 621057403IPL

Revision Date: December 13, 2024

Revision: T



**Marmon Foodservice
Technologies**

A Berkshire Hathaway Company

Visit the Cornelius web site at www.cornelius.com for all your Literature needs.

Notice

The products, technical information, and instructions contained in this manual are subject to change without notice. These instructions are not intended to cover all details or variations of the equipment, nor to provide for every possible contingency in the installation, operation or maintenance of this equipment. This manual assumes that the person(s) working on the equipment have been trained and are skilled in working with electrical, plumbing, pneumatic, and mechanical equipment. It is assumed that appropriate safety precautions are taken and that all local safety and construction requirements are being met, in addition to the information contained in this manual.

This Product is warranted only as provided in Cornelius' Commercial Warranty applicable to this Product and is subject to all of the restrictions and limitations contained in the Commercial Warranty.

Cornelius will not be responsible for any repair, replacement or other service required by or loss or damage resulting from any of the following occurrences, including but not limited to, (1) other than normal and proper use and normal service conditions with respect to the Product, (2) improper voltage, (3) inadequate wiring, (4) abuse, (5) accident, (6) alteration, (7) misuse, (8) neglect, (9) unauthorized repair or the failure to utilize suitably qualified and trained persons to perform service and/or repair of the Product, (10) improper cleaning, (11) failure to follow installation, operating, cleaning or maintenance instructions, (12) use of "non-authorized" parts (i.e., parts that are not 100% compatible with the Product) which use voids the entire warranty, (13) Product parts in contact with water or the product dispensed which are adversely impacted by changes in liquid scale or chemical composition.

Correct Disposal of this Product

This marking indicates that this product should not be disposed with other household wastes throughout the EU. To prevent possible harm to the environment or human health from uncontrolled waste disposal, recycle it responsibly to promote the sustainable reuse of material resources. To return your used device, please use the return and collection systems or contact the retailer where the product was purchased. They can take this product for environmental safe recycling.

Trademarks and Copyrights

This document contains proprietary information and it may not be reproduced in any way without permission from Marmon FoodService Technologies Inc. This document contains the original instructions for the unit described.

MARMON FOODSERVICE TECHNOLOGIES INC
355 Kehoe Blvd
Carol Stream, IL
Tel: + 1 800-238-3600

Printed in U.S.

Contact Information

To inquire about current revisions of any documentation or assistance with any Cornelius product, contact:

www.marmonfoodservice.com
www.cornelius.com
800-238-3600

EQUIPMENT REGISTRATION



Thank you for purchasing your equipment from the Marmon Foodservice Technologies family of brands. From technical support to warranty dispatch to replacement parts sales, Marmon Link provides your entire after-sales support for Cornelius, Prince Castle, Silver King, and Angelo Po America equipment.

Registering your equipment will help us keep you up to date on equipment information, preventative maintenance resources, and other topics. Your equipment's warranty will not be affected if you choose to not fill out this form.

To expedite the process, we ask that you have the following:

- The serial numbers of the equipment you purchased.
- The name and email address for a designed store contact.
- The general store information, including address location number.

REGISTER YOUR EQUIPMENT

To Maximize Your Benefits

- Comprehensive after-sales service
- Over the phone technicians
- Quick-ship parts

Complete with:

- Serial Number
- Equipment location details



Your equipment serial number will be validated against our database of existing serial numbers. If you are having difficulties entering a valid number, please contact Marmon Link at **1-866-275-6392**.

CLADDING COMPONENTS AND OVERALL ASSEMBLY DETAIL

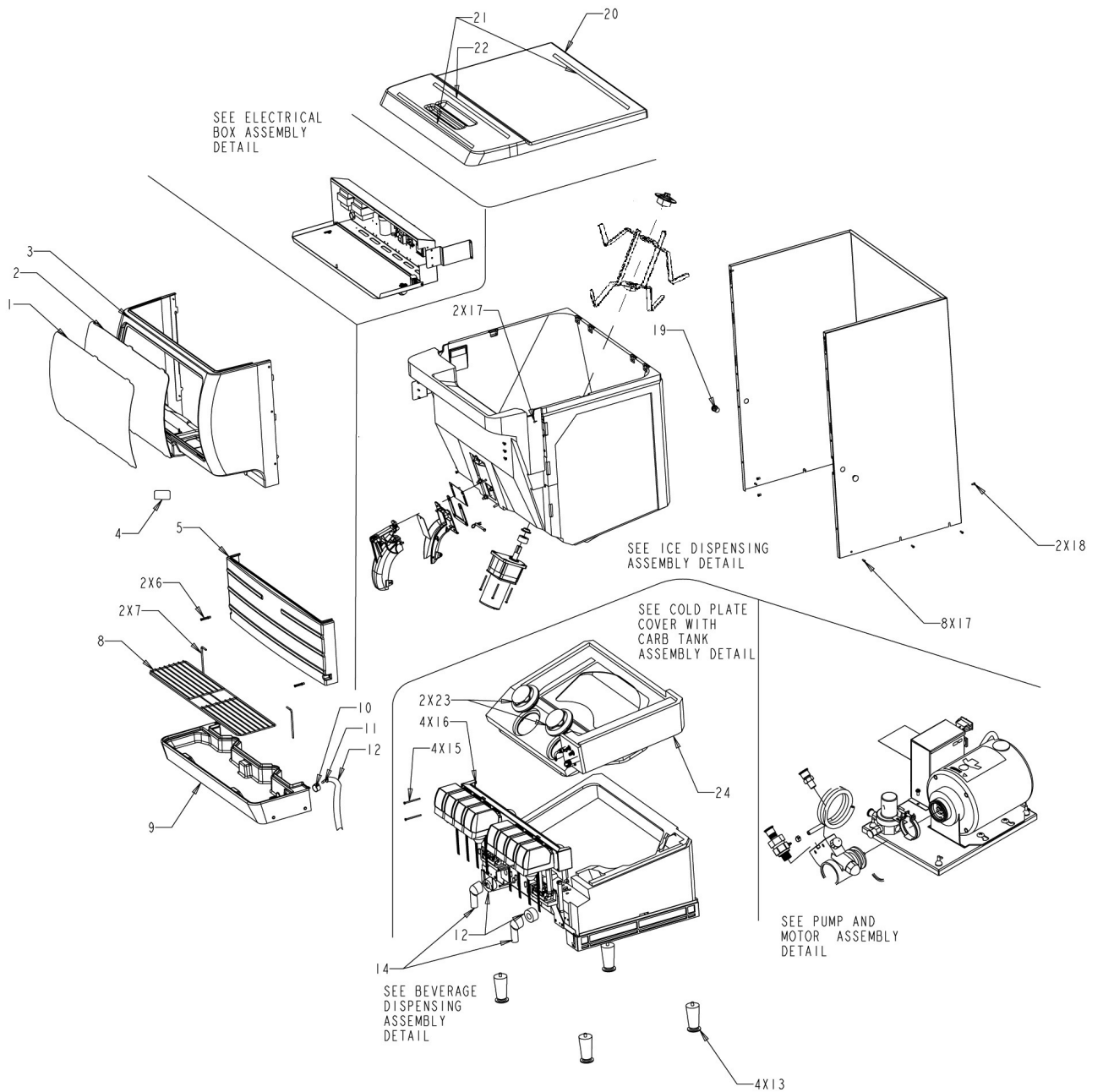


Figure 1.

Item No.	Part No.	Name
1	620920086	Merchandiser Graphic IDC 255
	620921016	Merchandiser Graphic IDC 215
	620071304	Merchandiser Graphic IDC 255 CC
	620071303	Merchandiser Graphic IDC 215 CC
2	620044219	Merchandiser Lens IDC 255
	620518221	Merchandiser Lens IDC 215
	620518235	Merchandiser Lens NGF 255
3	620044217	Merchandiser Assembly IDC 255 Black
	620044233	Merchandiser Assembly IDC 215 Black
	620056095	Merchandiser Assembly NGF 255 Black
	620053887	Merchandiser Assembly IDC 255 SS
	620053787	Merchandiser Assembly IDC 215 SS
	620071301	Merchandiser Assembly IDC 255 Grey
	620071298	Merchandiser Assembly IDC 215 Grey
4	620920955	Ice Label
	620071300	Ice Label Cc
5	629096992	Splash Panel IDC 2xx Black
	620052961	Splash Panel Z Style IDC 2xx SS
	620052923	Splash Panel IDC 2xx SS
	620053444	Splash Panel NGF255 SS
	620053446	Splash Panel Z Style NGF 255 SS
6	70171	Machine Screw, #8-32 X 3/8" Long, Stainless Steel
7	10145	Drip Tray Mounting Pin
8	620708534	Cup Rest
9	620521112	Drip Tray
	620071296	Drip Tray Assembly Grey
10	70750	Hose Clamp
11	51774	Clear Vinyl Tubing 1" Id X 1/8" Wall: Supplied In 6' Lengths.
12	169225016	Armaflex Insulation 1-3/8" Id X 3/8" Wall: Supplied In 6' Lengths.
13	70970	4" Adjustable Leg, 3/8"-16, Black Plastic With Nickel Plated Foot
14	53011	Rubber Elbow Fitting For Cold Plate Drain
15	70555	Machine Screw, #8-32 X 2-5/8" Long, Stainless Steel
16	71010	#8 Retaining Washer
17	620705801	Phillips Truss Head Screw #8-18 X 1/2" Long, Stainless Steel
18	70171	Machine Screw, #8-32 X 3/8" Long, Truss Pan-head, Stainless Steel
19	32977	Keyswitch Assy. (Keys Included): Replacement Keys Only (70739)
20	620517034	Lid IDC 2xx Black
	620056097	Lid NGF 2xx Black
	620068386	Lid IM/man Assembly IDC2xx Black
	620068387	Lid IM/man Assembly IDC2xx Grey
21	91957	Lid Warning Label
22	620708523	Lid Manual Fill Caution Label
23	620516645	Cover Cold Plate Access
24	620043354	Cold Plate Cover Assy
	620066343	Cold Plate Cover Assembly Without Carb Tank

ELECTRICAL BOX ASSEMBLY DETAIL- FLUORESCENT LIGHTING

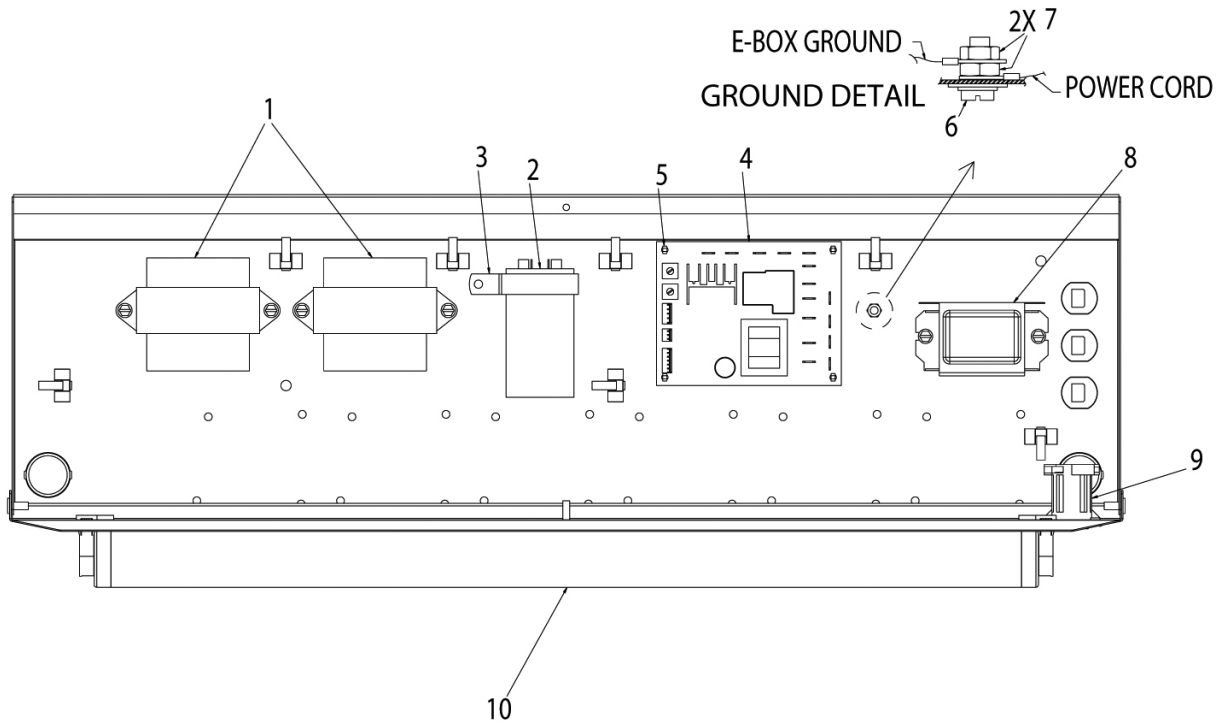


Figure 2.

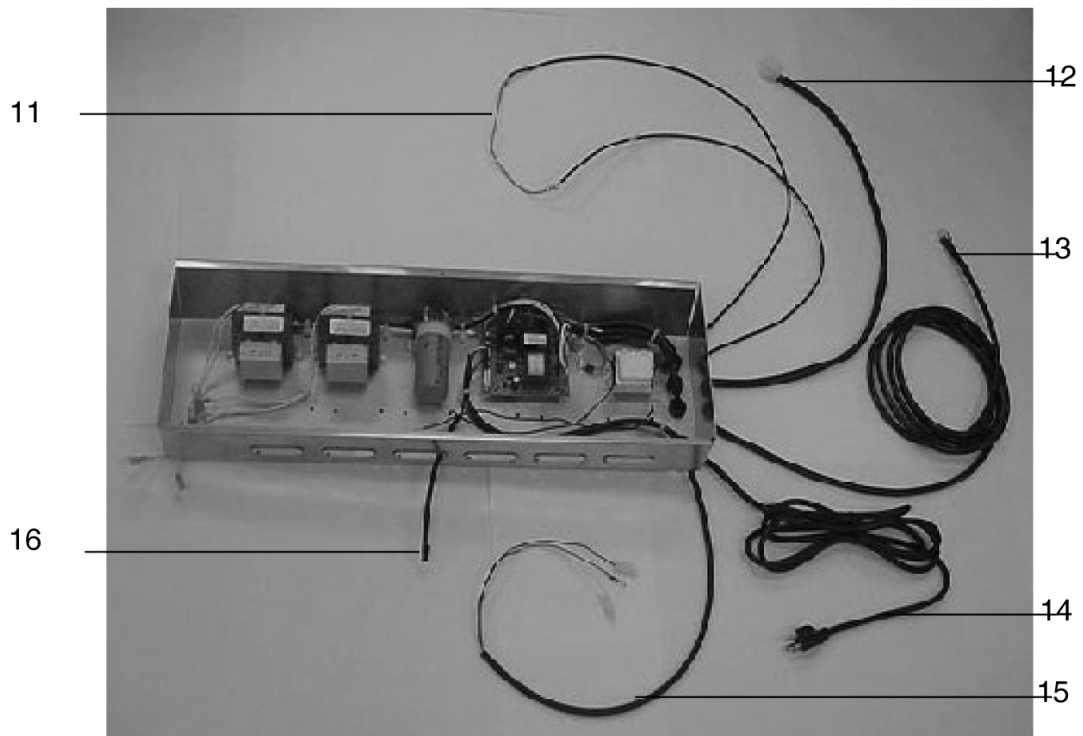


Figure 3.

IDC

Item No.	Part No.	Name
1	620710707	Transformer 115 Volt
	32829R	Transformer 220/240 Volt.
2	560002379	Capacitor 115 Volt. Unit
	620314324	Capacitor Run Agitator Motor IDC 230vac
3	620717212	Capacitor Mount
4	620314825-100	Main Electrical Board (W/ Jumper)
	620062577	Interlock jumper
5	325925	Electrical Board Support
6	70120	Machine Screw,#10-32, Ground
7	70015	Hex Nut 10-32 Keps
8	31621	Ballast 115 Volt. Unit
	33662	Ballast 220/240 Volt. Unit
9	31620	Starter 115 Volt. Unit
	620054076	Starter 220/240 Volt. Unit
10	620064030-001	Light Bar 24 Inch
11	30794	Agitator Motor Heater 115 Volts. Unit
	32826	Agitator Motor Heater 220/240 Volt. Unit
12	620316445	Agitator Motor Harness
13	620316456	Water Pump And Motor Harness
14	30995	Power Cord
15	620316455	Liquid Level Control Probe Harness
16	620316457	Ice Chute Position Sensor Harness

ELECTRICAL BOX ASSEMBLY DETAIL- LED LIGHTING

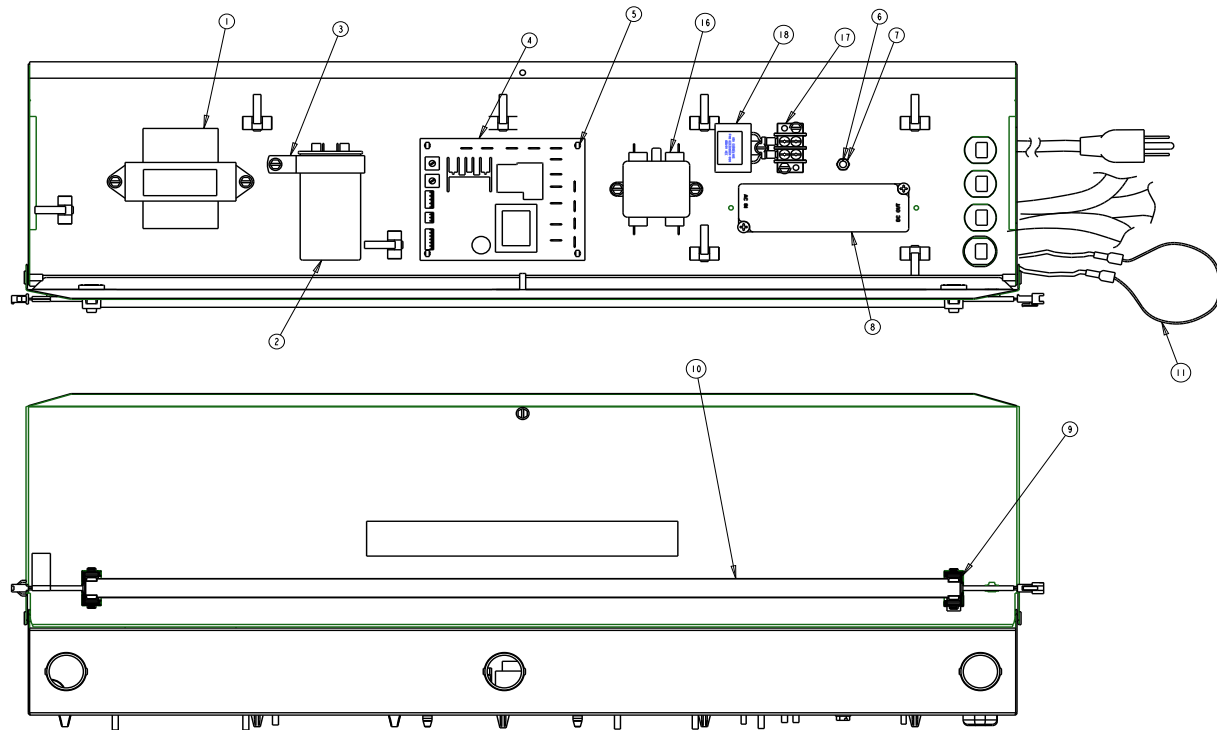


Figure 4

Item No.	Part No.	Name
1	32829R	Transformer 220/240 Volt
	620719707	Transformer 115 Volt
2	620314324	Capacitor Run Agitator 220/240 Volt
	560002379	Capacitor Run Agitator 115 Volt Unit
3	620717212	Capacitor Mount
4	620314825-100	Main Electrical Board (W/ Jumper 620062577)
5	325925	Electrical Board Support
6	70120	Machine Screw, #10-32 Ground
7	70015	Hex Nut #10-32 Keps
8	620057649-018	Power Supply 24vdc 20W Led Assy
9	620064161	Clip Retaining Led Light Bar
10	620064030-001	Light Tube 24" 10W 24vdc
11	32826	Agitator Motor Heater 220/240 Volt
12	620323735	Harness Agitator Motor
13	620323737	Harness Carbonator Probe
14	620316456	Harness Pump And Motor Assy
15	620316457	Harness Agitator Switch
16	620307301	Filter RFI Power Line CE
17	32244	Terminal Strip - 220/240 Volt Unit
18	620304601	Varistor Assy - 220/240 Volt Unit

ICE DISPENSING ASSEMBLY DETAIL

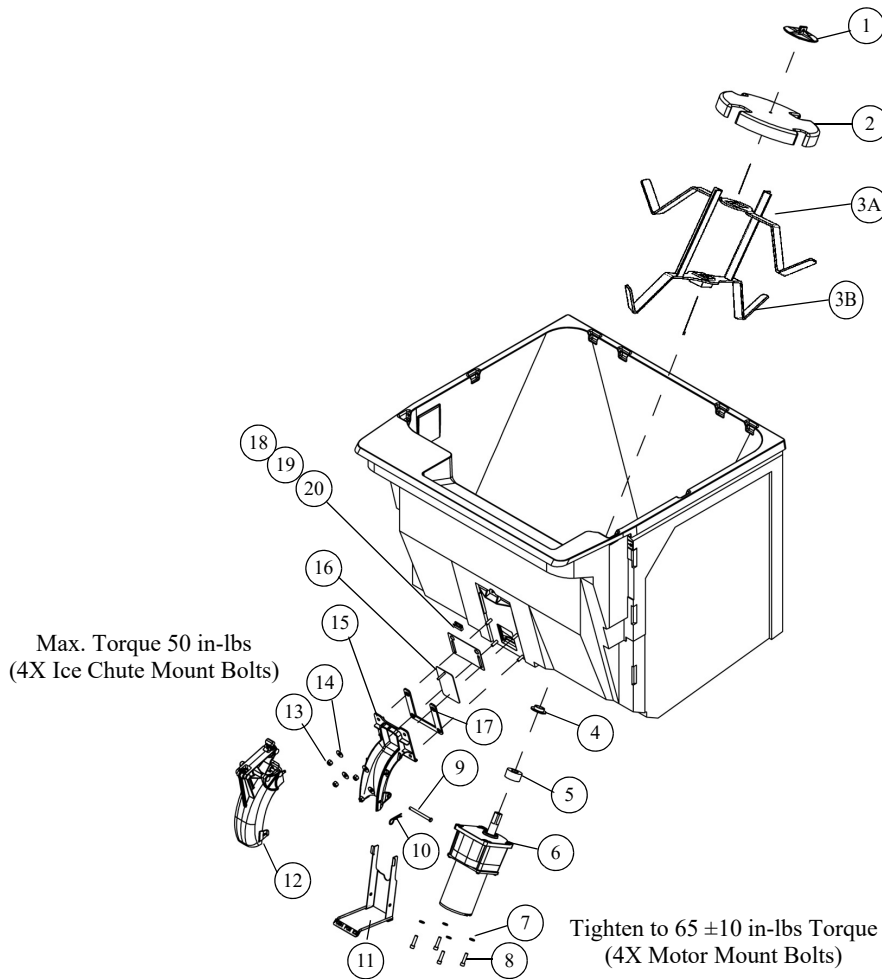


Figure 5.

Item No.	Part No.	Name
1	15087	Agitator Retainer
2	620042770	Agitator Disk
3A	620065218	Agitator Arm Removable IDC2XX
3B	620065220	Agitator Asy 2-PC IDC2XX
4	620711105	Gear Box Shaft Seal
5	52876	Gear Box Shaft Gasket
6	740002816	Service Motor 115V (Without Gearbox)
	740002817	Service Motor 230V (Without Gearbox)
	620068668	Motor Gear Assembly 115V
	620071056-01	Motor Gear Assembly 230V
7	186294000	Lock Washer .262" ID X .489" OD X .062" Thick, SS
8	620720590	Self-Locking Socket Head Cap Screw, 1/4-20, 1" Long, SS
9	620051502	Clevis Pin, .250" Dia X 2.75" Long, SS
10	620709432	Hairpin Cotter, SS

Item No.	Part No.	Name
11	620047111	Ice Chute Push Lever
	620709346	Lever Ice Chute Bracket NGF
	620709353	Lever Ice Chute Asy Wireform NGF
	620055808	Lever Ice Push Plate IDC/FF
12	620518536	Upper Ice Chute Assembly
13	620709132	Hex Nut, 1/4-20 Nylock, SS
14	70066	Flat Washer, .265" ID X .750" OD X .055" Thick, SS
15	620518535	Lower Ice Chute
16	620048706	Ice Gate
17	620710129	Ice Gate Gasket
18	620518908	Ice Gate Restrictor Plate
19	70178	Machine Screw, #08-32 THPH, 1/2" LG
20	V25248	Flat Washer, #10 SS
21 *	620314527	Ice Chute Position Sensor
22 *	90432	Heater Caution Label

Note: * Not Shown

BEVERAGE PANEL ASSEMBLY DETAIL (AFTER SERIAL NO. 62C0912JD002 SEE PAGE 7 FOR TOTALFLEX 1 PARTS)

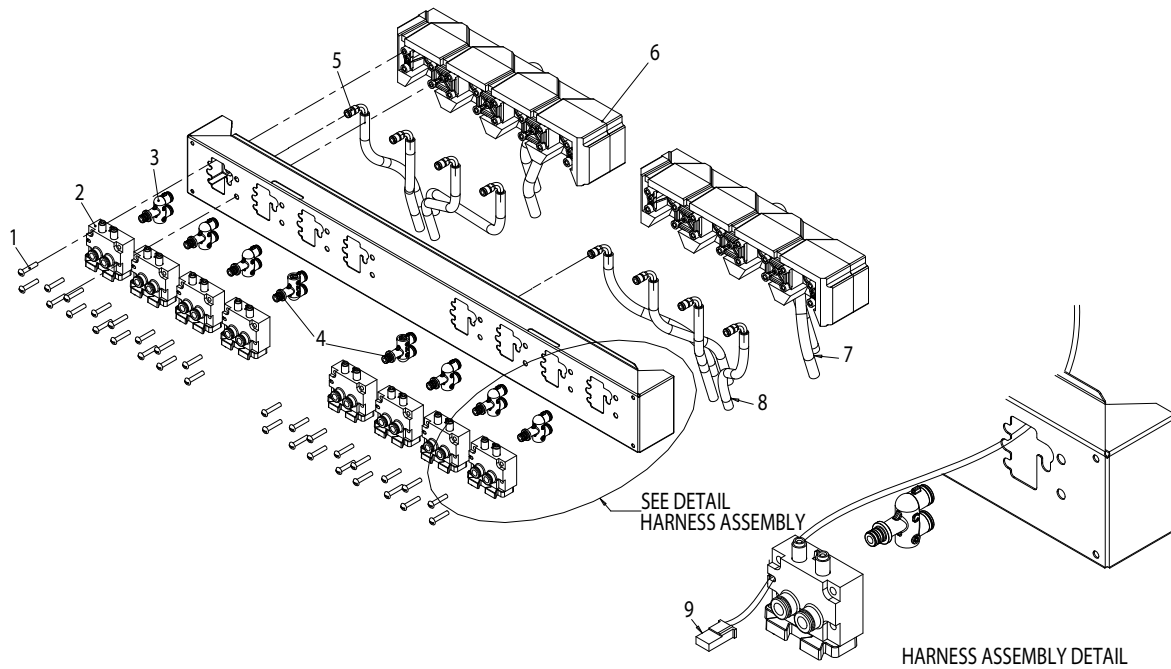


Figure 6.

Item No.	Part No.	Name
1	70692	Machine Screw, #10-32 X 1" Long Round Phillips Head, Stainless Steel
2	1919	UF1 Valve Back Block Assembly
3	620718989	Y-Fitting, Carbonated Water
4	620718990	Y-Fitting, Non-carbonated Water
5	620709068	Elbow Dole Fitting, 1/4 Barb with O-ring

Item No.	Part No.	Name
6	620407772	Totalflex Manifold Assembly 4 Valve, One Side, (5 Valve 620407770)
7	620607436	Polyethylene Tubing,.380" ID X.593" OD: Supplied in 12' Lengths
8	50299	Polyethylene Tubing,.265" ID X.465" OD: Supplied in 12' Lengths
9	31827	Valve Power Harness

BEVERAGE DISPENSING AND BEVERAGE PANEL ASSEMBLY DETAIL

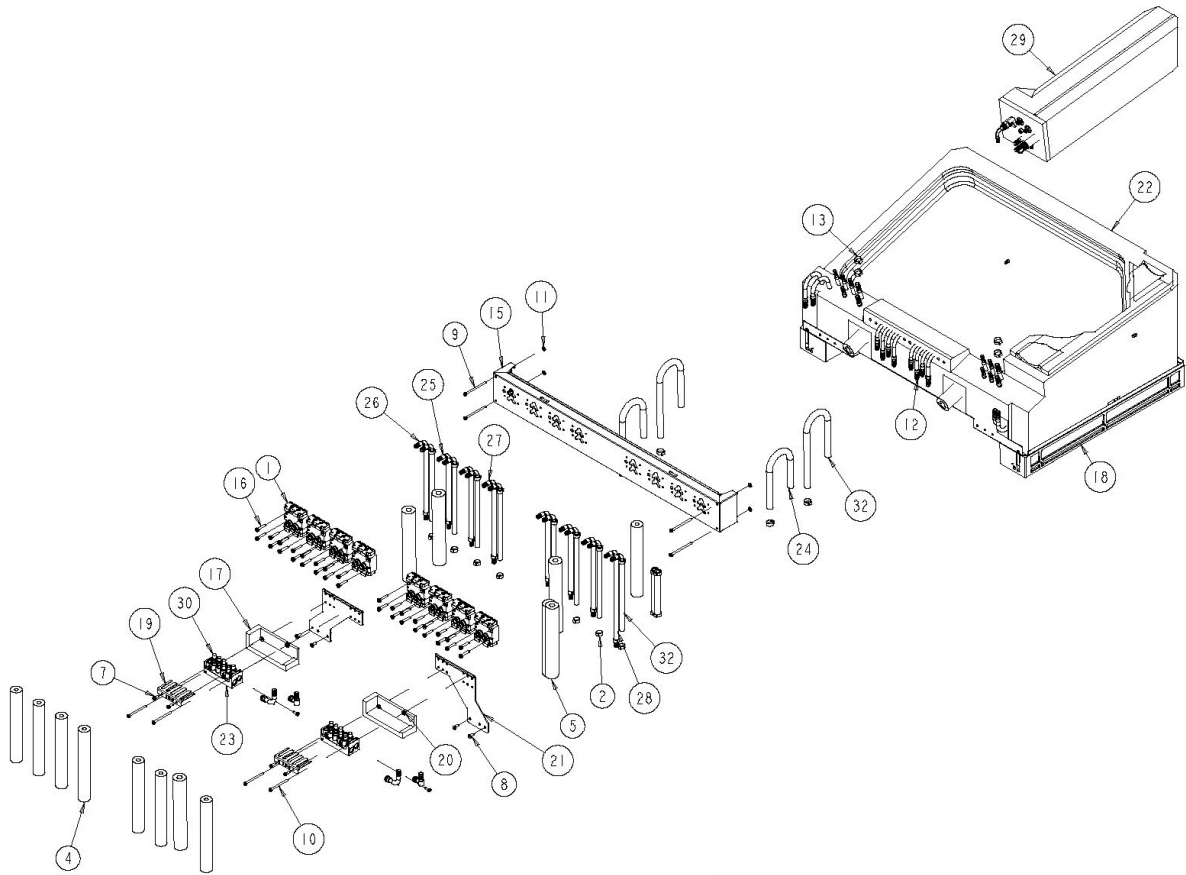


Figure 7.

Item No.	Part No.	Name
1	1919	Mounting Block Assembly
2	40502	Clamp Oetr 13.3 STPLS #13
3	50126	Insulation Prestite 1/8X2-1/2
4	50163	Armaflex 3/8 ID X 3/8 Wall
5	50249	Tubing Insul. 1/2 ID X 3/8 Wall
6	50326	Insulation Tape 1/8" X 2" X 30'
7	70204	Screw Sm 08 TA TRPH 16 SS
8	70307	Rivet Pop 187D 188-250
9	70555	Screw MA 08-32 TRPH 84 SS
10	71006	Srew MA 08-32 TRPH 72 SS
11	71010	Washer - Captivating #8
12	99250	Cap
13	309853000	Clamp Oetr 618 Open STPLS #15.7
14	321471000	Lube Dow 111 5.3 oz. Tube
15	620042856	Panel Bev.8 Valve IDC 2XX
	620042780	Panel Bev.10 Valve IDC 2XX
	620047464	Panel Bev. 8 Valve NGF 2XX
	620056091	Panel Bev. 10 Valve NGF 2XX
16	620700602	Screw TF SM 10-16 RDPH 32 SS

Item No.	Part No.	Name
17	620711962	Insulation TFI Manifold
18	620045786	Base Assy ED2XX Jordan
19	620046382	Retainer TFI FITGS
20	620046798	Bushing Hinge Nylon
21	620053839	Bracket Manifold Mtg
22	620407060	Foamed 19 X 28 8FL C-PLT Assy.
23	620407728	Manifold Total Flex, 5 Pos
24	620407917	Water Line Assy, U-Shape 3/8 I.D.
25	620407919	Water Line Assy, 1/4 I.D.
26	620407920	Water Line Assy, 1/4 I.D.
27	620407921	Water Line Assy, 1/4 I.D.
28	620407923	Water Line Assy, 1/4 I.D.
29	620518322	Tank Carb Assy Jordan
30	620519005	Plug Manifold
31	620607436	Tubing Polyethylene .380 X .593
32	620611961	Line Assembly Water
33	620719370	Tube Prod. Syrup JRD

CARBONATOR TANK ASSEMBLY DETAIL

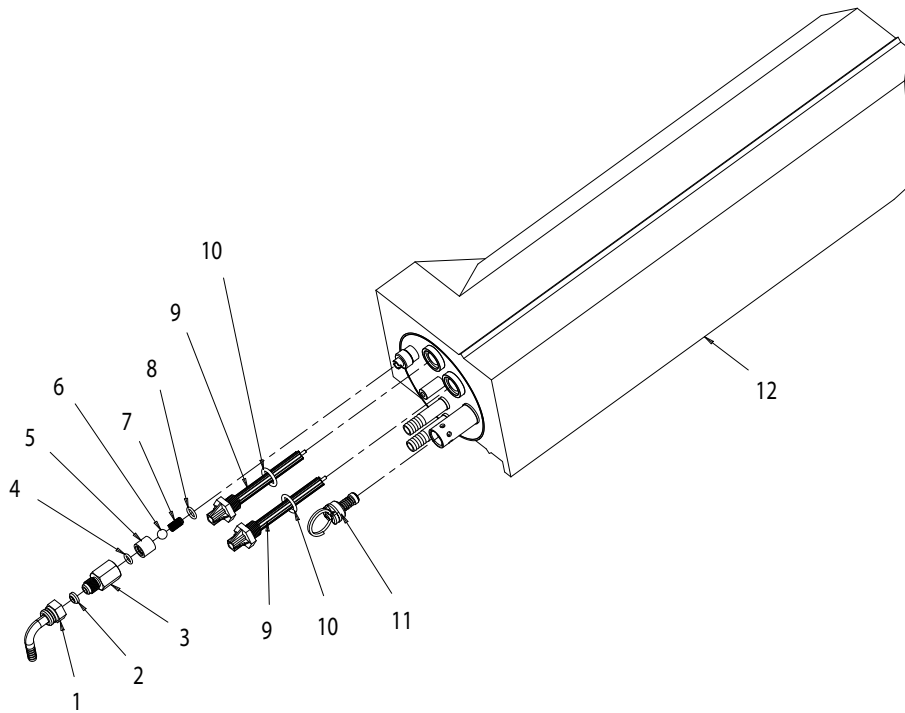


Figure 8.

Item No.	Part No.	Name
1	77040100	L-Swivel Fitting 7/16"-20 (1/4" FFL) FL X 1/4" Barb, SS
2	178025100	Male Gasket Flare Fitting
3	77401400	Check Valve Fitting
4	317015000	O-Ring .239" ID .070" CS 70 DU BU-N
5	64686	Check Valve, SS
6	64560	Check Valve Ball, .3125" SS
7	64678	Spring

Item No.	Part No.	Name
8	150058000	O-Ring .301" ID .070" CS 60 DU BU-N
9	620607108	Liquid Level Control Probe: Must be purchased together with item 10 (O-ring).
10	31525007	O-Ring .488" ID 103 CS 60 DU BU-N
11	630001122	Valve Relief Asy Black
12	620518314	Carb Tank Complete Assembly
13		

CARBONATOR TANK ASSEMBLY DETAIL

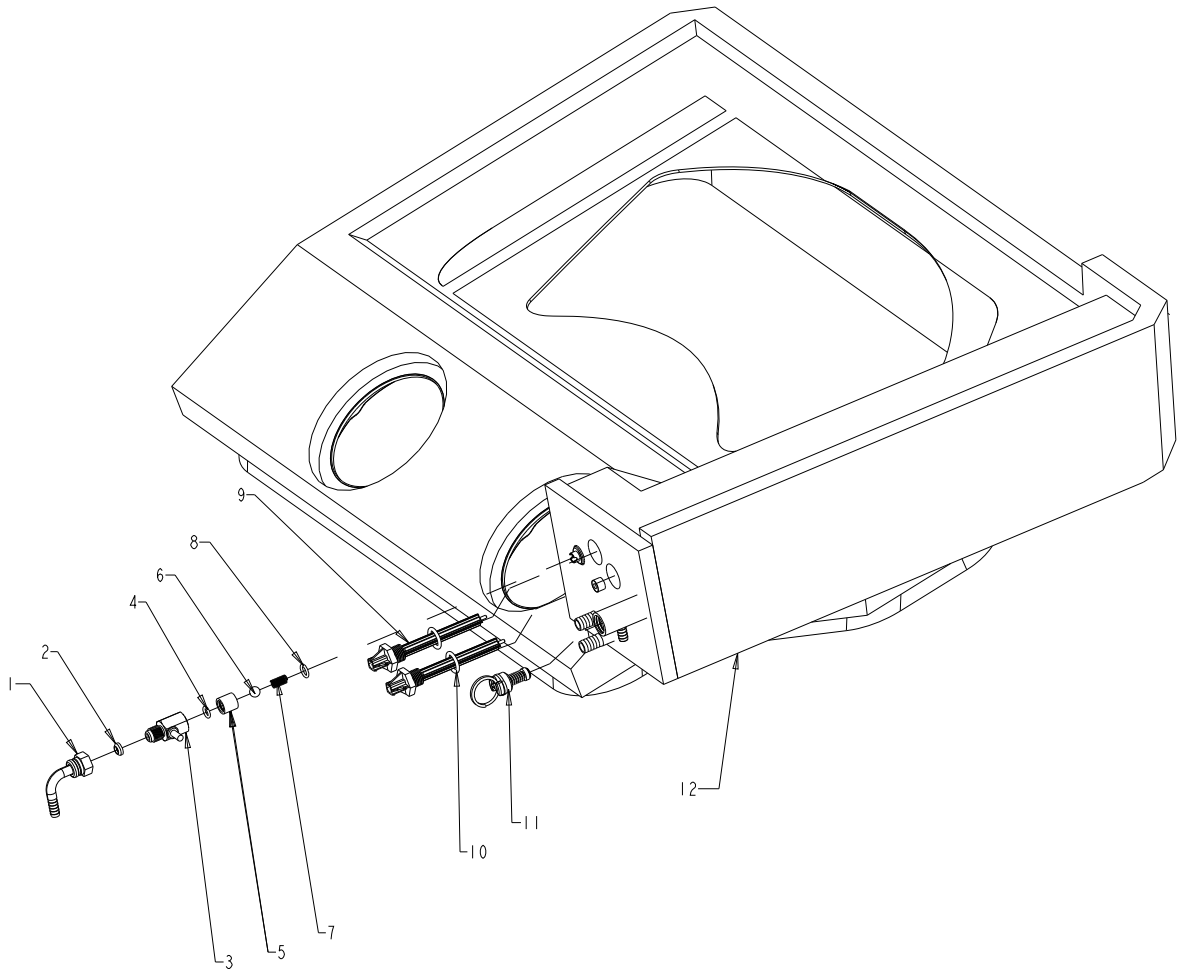


Figure 9.

Item No.	Part No.	Name
1	77040100	L-Swivel Fitting 7/16"-20 (1/4" FFL) FL X 1/4" Barb, SS
2	178025100	Male Gasket Flare Fitting
3	65259001	Check Valve Fitting
4	317015000	O-Ring .239" ID .070" CS 70 DU BU-N
5	64686	Check Valve Sleeve SS
6	64560	Check Valve Ball, .3125" SS

Item No.	Part No.	Name
7	64678	Spring
8	150058000	O-Ring .301" ID .070" CS 60 DU BU-N
9	620607108	Liquid Level Control Probe: Must be Purchased w/ Item 10 (O-Ring)
10	31525007	O-Ring .488" ID 103 CS 60 DU BU-N
11	630001122	Valve Relief Assy Black
12	620043354	Cold Plate Cover Assy. w/ Carb Tank

PUMP AND MOTOR ASSEMBLY DETAIL

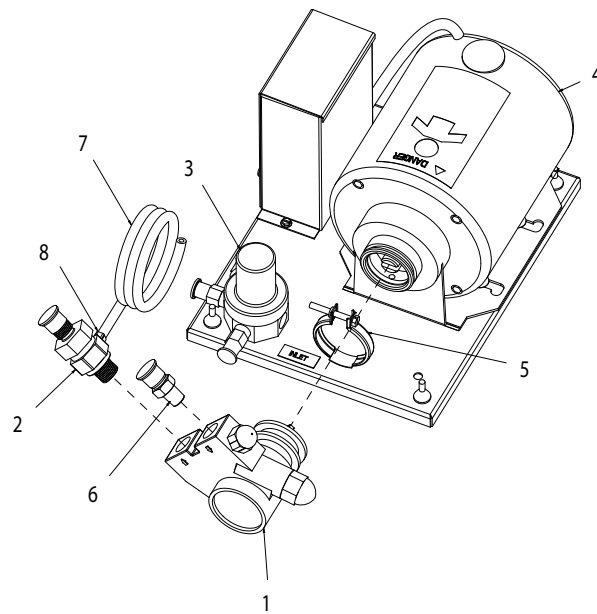


Figure 10.

Item No.	Part No.	Name
1	60170LL	Pump, 125GPH
2	620608773	Check Valve 3/8MPT 5/8-18
3	620709802	Pressure Regulator 75 PSIG
4	60030058	Motor Pump 115Volt
	71860673	Motor Pump 220/240 Volt

Item No.	Part No.	Name
5	187483000	Clamp
6	21247013	Straight Ftg 3/8 MPT X 3/8MF,Brass
7	174004000	Polyethylene Tubing .156" ID X .312" OD
8	311527000	Oetiker Clamp #8.7

PROGATE CLADDING COMPONENTS AND OVERALL ASSEMBLY DETAIL

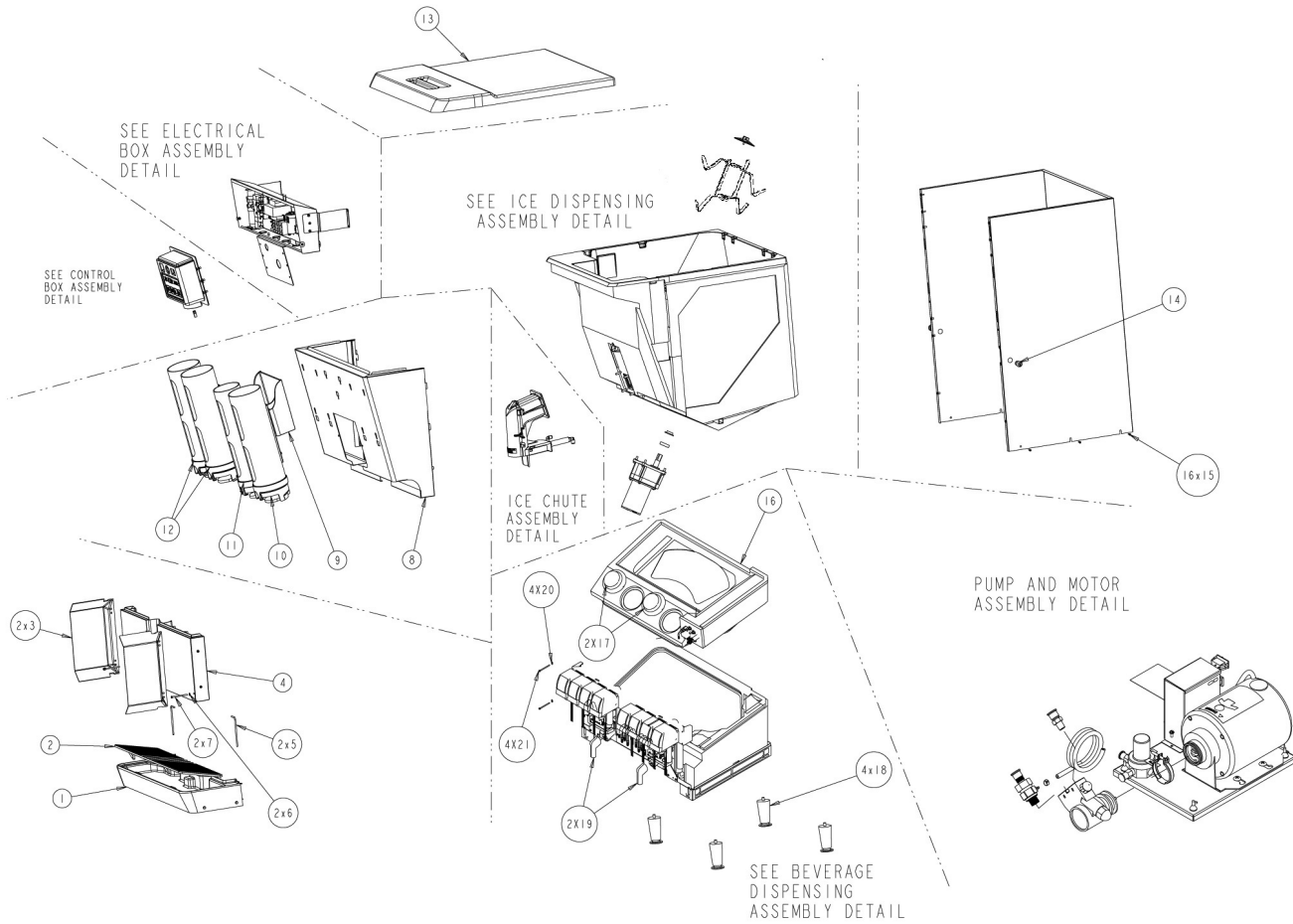


Figure 11.

Item No.	Part No.	Name
1	620046285	Drip Tray
2	620708537	Cup Rest
3	52084	Guard Splash R/L
4	620052335	Panel Assembly
5	10145	Drip Tray Mounting Pin
6	71010	Captivating Washer
7	70555	Screw, Stainless
8	620053003	Cover, Weldment
9	620046723	Holder, Straw IDC/Yum Crew Serve
10	620517069	Lid Holder Assy XLRG
11	620517068	Lid Holder Assy SML & MED
12	620517067	Lid Holder Assy Large

Item No.	Part No.	Name
13	620517034	Lid IDC255 Black
14	32977	Keyswitch Assy. (Keys Included): Replacement Keys Only (70739)
15	620705801	Phillips Truss Head Screw, #8-18 X 1/2" Long, Stainless Steel
16	620050537	Foam Cold Plate Cover
17	620516645	Cold Plate Access Cover
18	70970	4" Adj. Leg, 3/8"-16, Black Plastic w/ Nickel Plated Foot
19	53011	Rubber Elbow Fitting for Cold Plate Drain
20	71010	Retaining Washer
21	70555	Machine Screw, #8-32 X 2-5/8" Long, SS

Marmon Foodservice Technologies Inc.

www.marmonfoodservice.com

www.cornelius.com