



# ACSD

## Illustrated Parts List



**Release Date:** Mar 01, 2024  
**Publication Number:** 621058798IPL  
**Revision Date:** Mar 01, 2024  
**Revision:** 1

 **Marmon Foodservice  
Technologies**  
A Berkshire Hathaway Company

Visit the Cornelius web site at [www.cornelius.com](http://www.cornelius.com) for all your Literature needs.



The products, technical information, and instructions contained in this manual are subject to change without notice. These instructions are not intended to cover all details or variations of the equipment, nor to provide for every possible contingency in the installation, operation or maintenance of this equipment. This manual assumes that the person(s) working on the equipment have been trained and are skilled in working with electrical, plumbing, pneumatic, and mechanical equipment. It is assumed that appropriate safety precautions are taken and that all local safety and construction requirements are being met, in addition to the information contained in this manual.

This Product is warranted only as provided in Cornelius' Commercial Warranty applicable to this Product and is subject to all of the restrictions and limitations contained in the Commercial Warranty.

Cornelius will not be responsible for any repair, replacement or other service required by or loss or damage resulting from any of the following occurrences, including but not limited to, (1) other than normal and proper use and normal service conditions with respect to the Product, (2) improper voltage, (3) inadequate wiring, (4) abuse, (5) accident, (6) alteration, (7) misuse, (8) neglect, (9) unauthorized repair or the failure to utilize suitably qualified and trained persons to perform service and/or repair of the Product, (10) improper cleaning, (11) failure to follow installation, operating, cleaning or maintenance instructions, (12) use of "non-authorized" parts (i.e., parts that are not 100% compatible with the Product) which use voids the entire warranty, (13) Product parts in contact with water or the product dispensed which are adversely impacted by changes in liquid scale or chemical composition.

### Contact Information:

To inquire about current revisions of this and other documentation or for assistance with any Cornelius product contact:

[www.marmonfoodservice.com](http://www.marmonfoodservice.com)

[www.cornelius.com](http://www.cornelius.com)

800-238-3600

### Trademarks and Copyrights:

This document contains proprietary information, and it may not be reproduced in any way without permission from Marmon Foodservice Technologies.

This document contains the original instructions for the unit described.

MARMON FOODSERVICE TECHNOLOGIES INC  
355 Kehoe Blvd  
Carol Stream, IL  
Tel: + 1 800-238-3600

Printed in the U.S.A.



Recycle

### Correct Disposal of this Product:

This marking indicates that this product should not be disposed with other household wastes throughout the EU. To prevent possible harm to the environment or human health from uncontrolled waste disposal, recycle it responsibly to promote the sustainable reuse of material resources. To return your used device, please use the return and collection systems or contact the retailer where the product was purchased. They can take this product for environmental safe recycling.

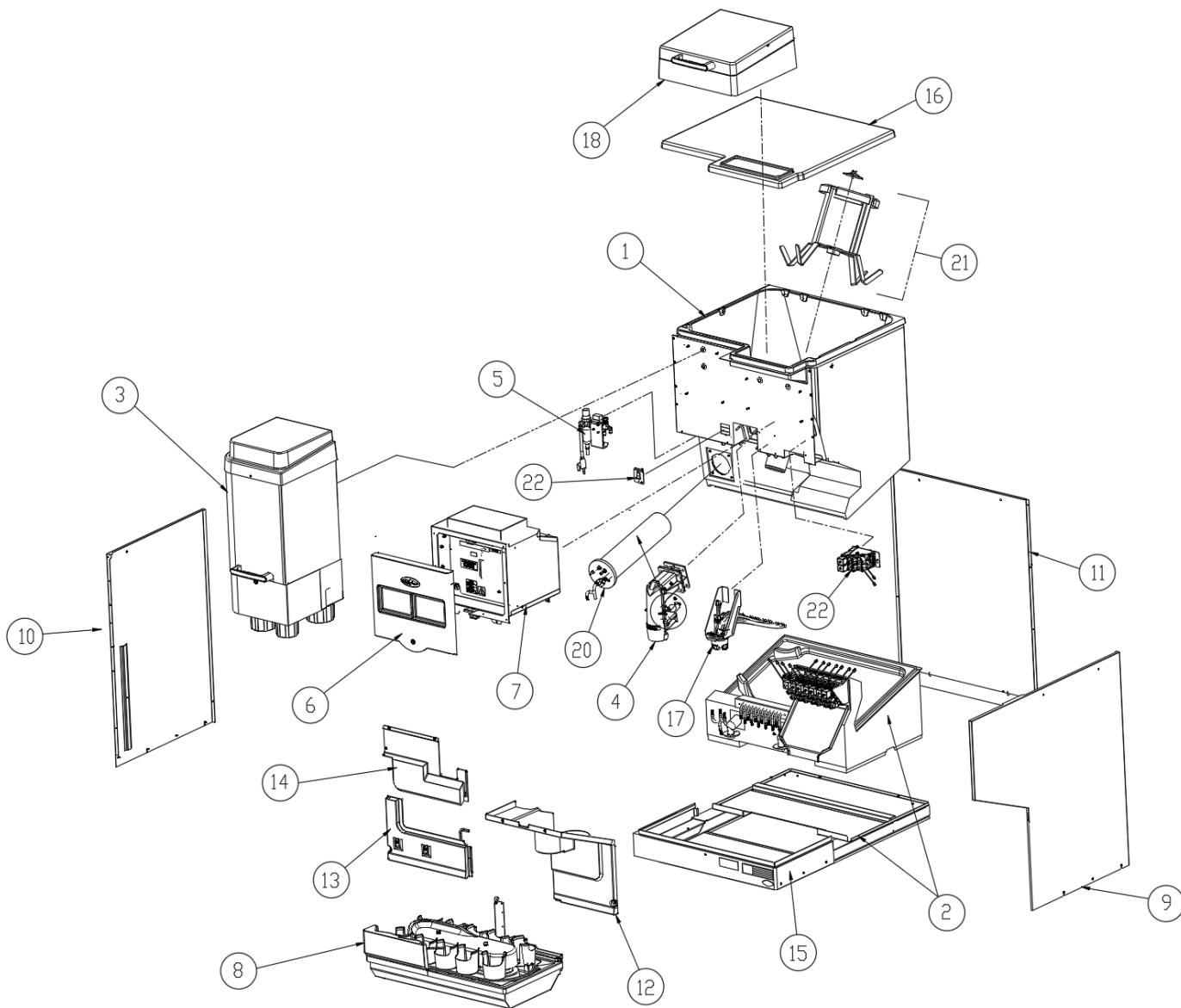


---

# TABLE OF CONTENTS

TOP LEVEL ASSEMBLY .....	1
HOPPER & AGITATOR ASSEMBLY .....	3
DRIPTRAY CONVEYOR ASSEMBLY .....	4
COLD PLATE & BASE ASSEMBLY .....	6
CARBONATION TANK ASSY.....	7
ELECTRICAL BOX ASSEMBLY .....	9
CONTROL PANEL ASSY. MFV/MCB.....	11
POWER SUPPLY PANEL ASSY .....	12
DOOR DISPLAY ASSEMBLY (620074040) .....	13
PROGATE ICE CHUTE ASSY (620073812) .....	14
PROGATE VALVE & REGULATOR ASSEMBLY (620074379).....	15
LEFT SPLASH PANEL ASSY (620074173) .....	16
NOZZLE ASSEMBLY (620073765) .....	17
CUP DROPPER ASSEMBLY .....	18
BEVERAGE VALVE SYSTEM.....	20
FLAVOR VALVE OPTION .....	21
PUMP AND MOTOR ASSEMBLY .....	22
CART ASSEMBLY .....	23
ACCESSORIES .....	24

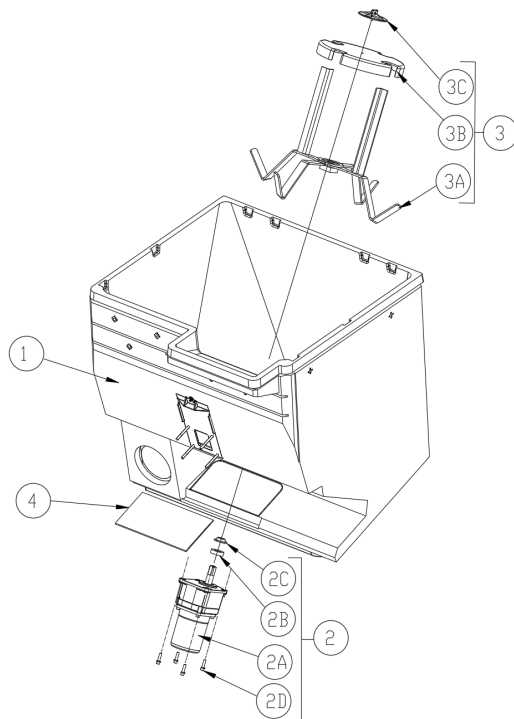
# TOP LEVEL ASSEMBLY





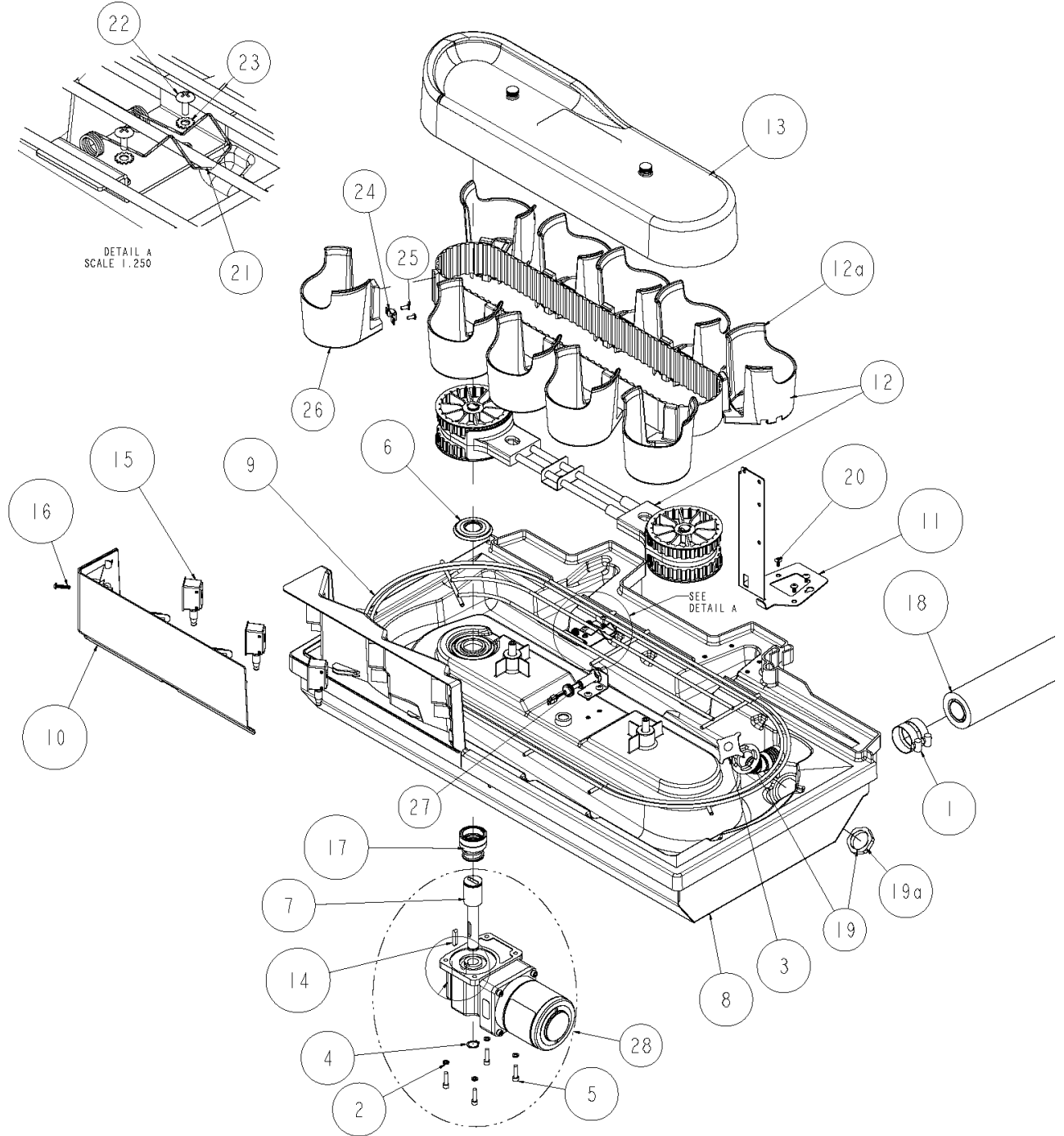
MAIN ASSEMBLY		
ITEM	PART NUMBER	DESCRIPTION
1	620074019	ACSD HOPPER ASSY
2	620073340	COLD PLATE, BASE & VALVE ASSY.
	620074639	MID CARB COLD PLATE, BASE & VALVE ASSY.
3	<b>SEE CHART</b>	CUP DROPPER ASSY. (ACSD)
4	620073812	ICE CUTE PROGATE ASSY
5	620057548	PROGATE VALVE 5/2 24 VDC
6	629098048	KIT DOOR WITH DISPLAY ACSD
7	<b>SEE E-BOX ASSY</b>	BOX ASSY. ELECTRIC (ACSD)
8	620074128-001	DRIP-TRAY CONVEYOR ASM 115V
	620074128-002	DRIP-TRAY CONVEYOR ASM 230V
9	620074025	MAIN WRAP RIGHT
10	620074026	MAIN WRAP LEFT
11	620074024	MAIN WRAP BACK
12	620074030	SPLASH PANEL RIGHT (NOZZLE/ E-BOX)
13	620074173	SPLASH PANEL LEFT (SENSORS)
14	620074178	SPLASH PANEL
15	620074180	SKIRT CUP MOVER
16	629098053	KIT HOPPER LID ACSD
17	620074638	NOZZLE ASSY
	620074637	MID CARB NOZZLE ASSY
18	629098047	KIT ICE LOADER
19	620074504	SWITCH CUP DROPPER OPEN/CLOSED
20	620074370	TANK CARB ASSY. IDC/NGF
21	<b>SEE AGITATOR ASSY</b>	AGITATOR ASSEMBLY
22	629098044	KIT CUP DISPENSER LATCH SWITCH
23	<b>OPTIONAL</b>	VALVES FLAVOR SHOT
24	620074183	WIND SHIELD LEFT/RIGHT

# HOPPER & AGITATOR ASSEMBLY



ITEM	PART NUMBER	DESCRIPTION
1	620073325	HOPPER FOAMED ASSY.
2	629098009-001	KIT 115V MOTOR AGITATOR ASSY
	629098009-002	KIT 230V MOTOR AGITATOR ASSY
2A	620068668	MOTOR AGITATOR 120VAC
	620071056	MOTOR AGITATOR 230VAC
2B	620711105	SEAL GEARBOX SHAFT
2C	52876	SEAL COMPRESSION FITTING
2D	620720590	SCREW- 1/4-20 SS
3		AGITATOR ASY
3A	740002228	AGITATOR ARM 1 WITH VERTICAL PRONG
3A	740002227	AGITATOR ARM 2
3B	620042770	AGITATOR COVER
3C	15087	AGITATOR RETAINER
4	53421	COVER COLD PLATE

# DRIPTRAY CONVEYOR ASSEMBLY

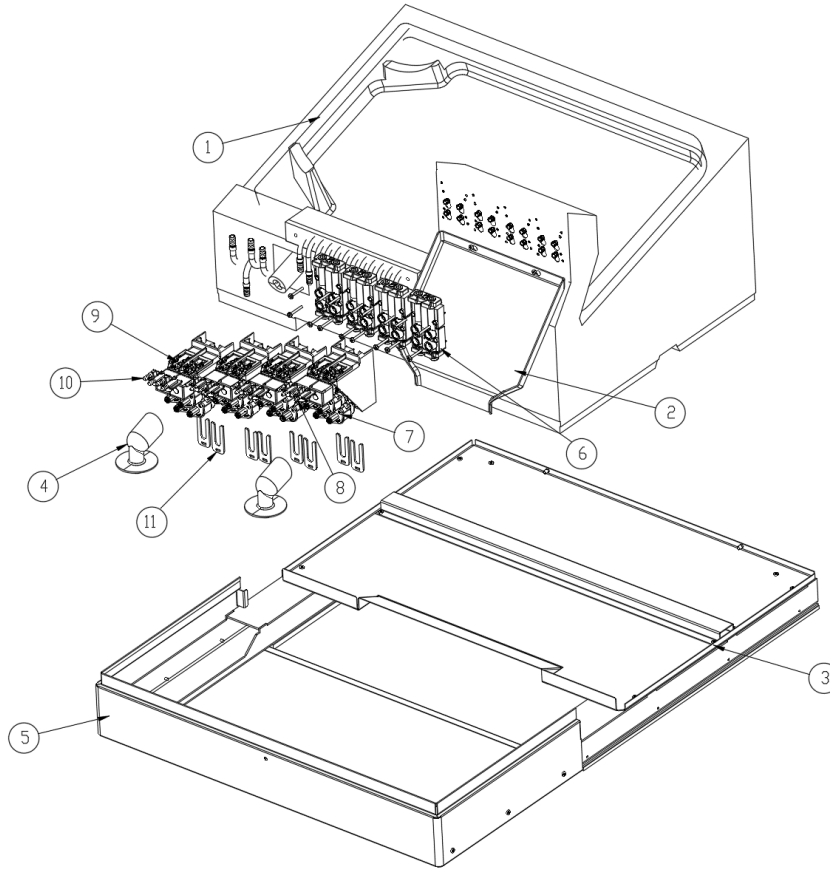




ITEM	PART NUMBER	DESCRIPTION
1	70750	CLAMP - HOSE SCREW
2	120227000	WASHER-SL #10-ST-ZN
3	162865030	ASY STRAINER DRAIN W/A 1.5"
4	560000331	RETAINER RING INT .55OD 035THK
5	560001560	SCREW MA 10-32 HXSO 24 SS
6	560002729	DEFLECTOR WTR CONVEY CPLG ABS
7	620074118	SHAFT CAROUSEL MOTOR ACSD
8	620074123	DRIP-TRAY FOAMED ASM ACSD
9	620074126	KIT CUP REST
10	620074143	PANEL ACCESS DRIP-TRAY SENSORS ACSD
11	620074171	BRKT MOUNT SPLASH PANELS ACSD
12	620074213	CONVEYOR ASM ACSD
13	629098038	KIT CAROUSEL COVER ACSD
14	620074456	KEY CONVEYOR MTR SHAFT
15	620074458	ADAPTER ASM WENGLOR
16	620074508	SCREW MA 8-32 X 3/4 RDPH 18-8 ST STL BLACK
17	620519602	CONVEYOR SUPER SEAL ABS
18	740002507	TUBE 6' DRAIN INSULATION ASY
19	629098041	KIT DRAIN FITTING ACSD
19a	560000324	NUT- DRAIN FITG
20	70171C	SCREW MA 08-32 TRPH 12 SS TL
21	560000368	SPRING CUP LOCATOR
22	318733000	SCREW MA 06-32 TRPH 10 SS
23	620710922	WASHER-#06 -EXTL TOOTH
24	620065685	BRKT CUP HOLDER SENSOR
25	84350001	SCREW 8X3/8 SS PH PLASTILOK
26	620063259	HOLDER, CUP CONVEYOR
27	2617641	KIT INDEX SENSOR ABS 2.0
28	629098039	KIT CAROUSEL MOTOR 115V ACSD
	629098056	KIT CAROUSEL MOTOR 230V ACSD

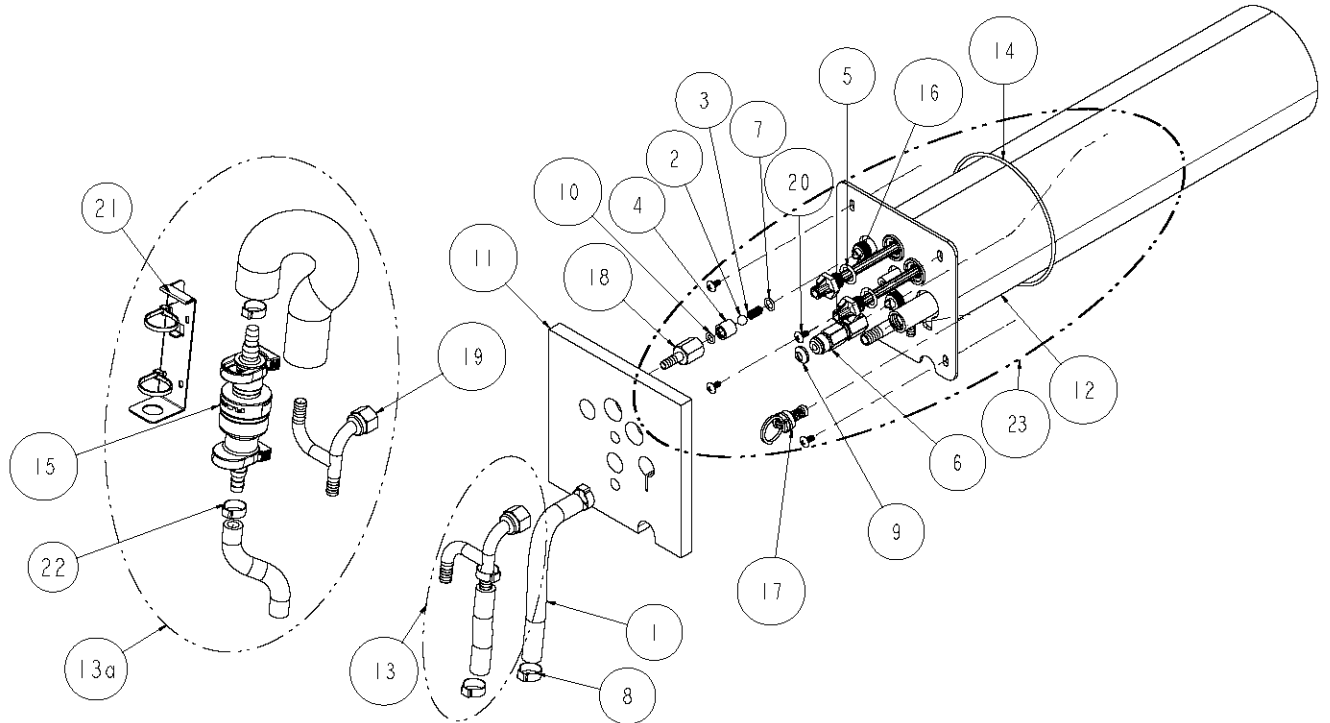


# COLD PLATE & BASE ASSEMBLY



ITEM	PART NUMBER	DESCRIPTION
1	620073340	C-PLT FOAMED 19X28 12BRAND + 2 WTR
	620074639	C-PLT FOAMED 19X28 12BRAND +4 WTR MID CARB
2	620073961	SHIELD CONDENSATION VALVES
3	620073694	BASE ASSEMBLY
4	620073580	BOOT DRAIN COLD PLATE
5	620074180	SKIRT CUP MOVER
6	620056832	BLOCK BACK 2X2 W/SHUTOFF MFV
7	620065917-029	MFV SYRUP VALVE
8	620057859	ADAPTER BARB 1/4"
	620065917-018	MFV 1X2 WATER VALVE
9	620065917-017	MFV 2X2 WATER VALVE
	620057890	ADAPTER BARB 3/8"
10	620057890	ADAPTER BARB 3/8"
11	620058297	CLIP LOCK MFV

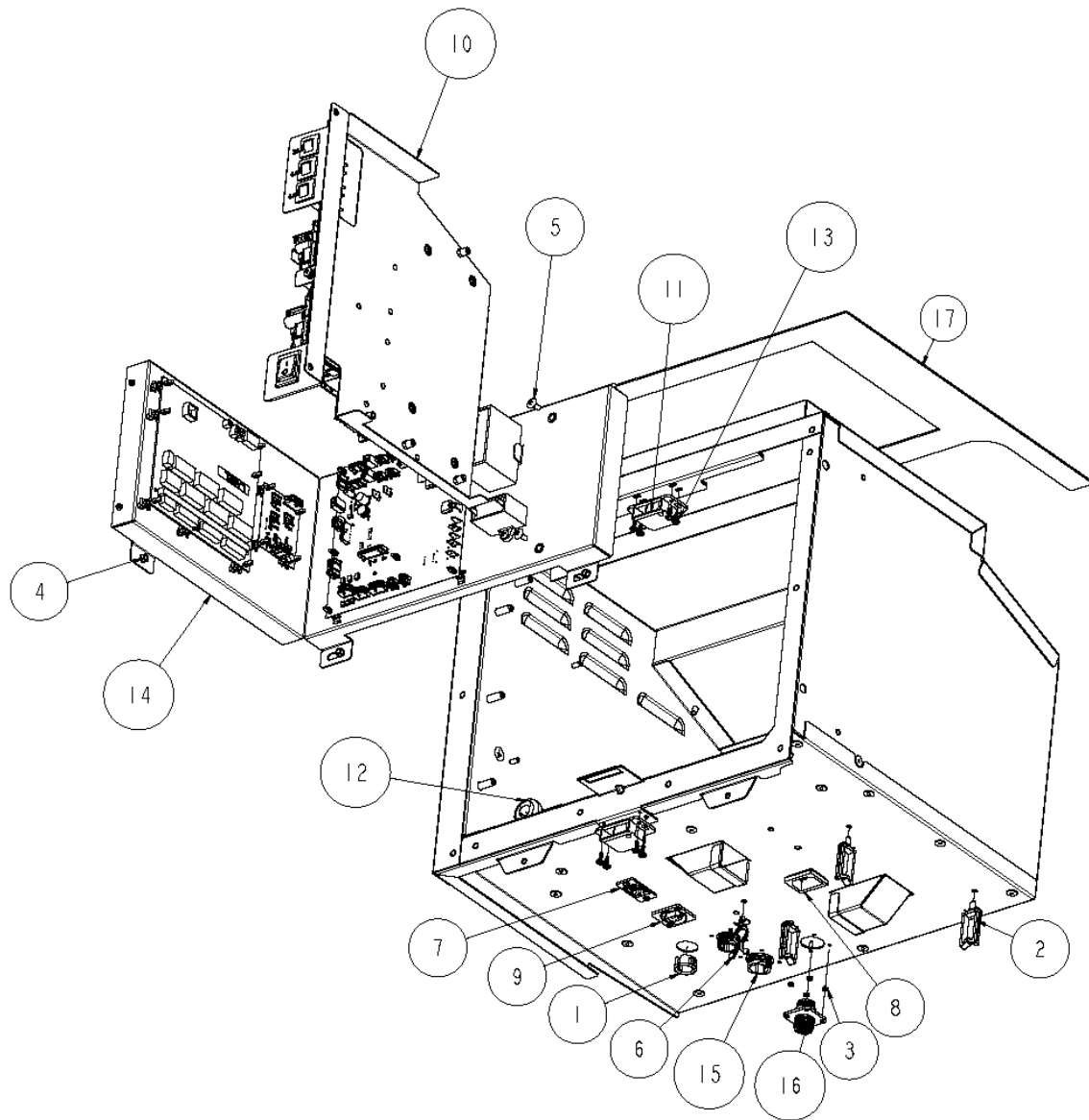
# CARBONATION TANK ASSY





ITEM	PART NUMBER	DESCRIPTION
1	49034	TUBE POST-CHILL
2	64560	BALL .3125 SS
3	64678	SPRING
4	64686	SLEEVE SS CHK VLV
5	31525007	O-RING 488ID 103CS 60DU BU-N
6	65267001	VLV DBL CHK ASY
7	150058000	O-RING 301ID 070CS 70DU EY-P
8	309852000	CLAMP OETR #17.0
9	311304000	GASKET 3/8 MALE FLARE FITG
10	317015000	O-RING 239ID 070CS 70DU EY-P
11	620074135	INSULATION CARB TANK
12	620074369	TANK CARB ASY WELDMNT ACSD
13	620074377	FITG ASY 5/8 SWIVEL TEE 2 X 3/8 BARB
13a	ONLY FOR MIDCARB ACSD	
14	620074522	O-RING 4.487ID .103CS 70DU BUNA
15	620054693-001	REG 65PSI ACSD W/FITTINGS
16	620607108	PROBE LEVEL CONTROL IDC
17	630001122	VALVE RELIEF ASY BLACK
18	770000743	FITG- CHK VLV W/ 1/4 BRB SS
19	620074377-001	FITG ASY 5/8 SWIVEL TEE 2 X 3/8 BARB OPP
20	70171C	SCREW MA 08-32 TRPH 12 SS TL
21	620074662	BRKT REG MTG ACSD MID CARB
22	309852000	CLAMP OETR 669OPEN STPLS #17.0
23	620074370	KIT CARB TANK ASSEMBLY

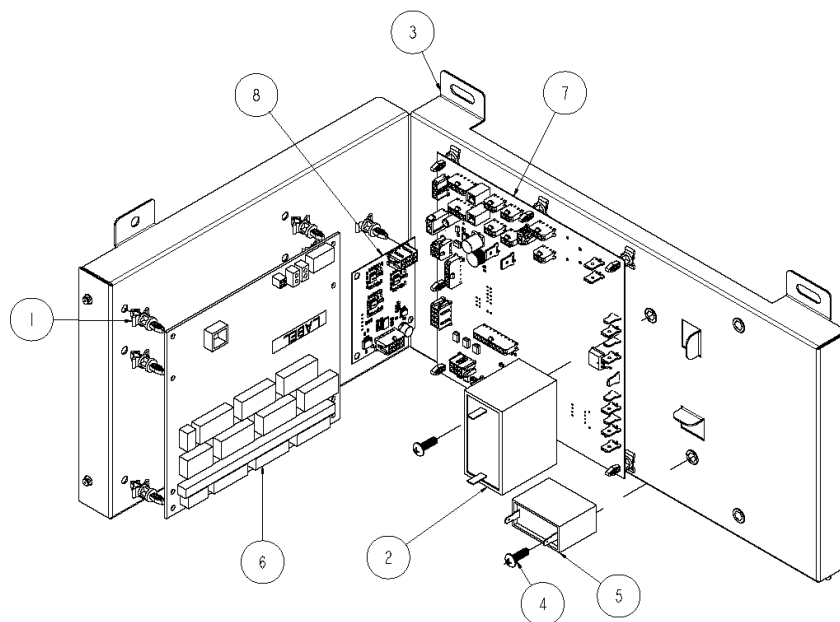
# ELECTRICAL BOX ASSEMBLY





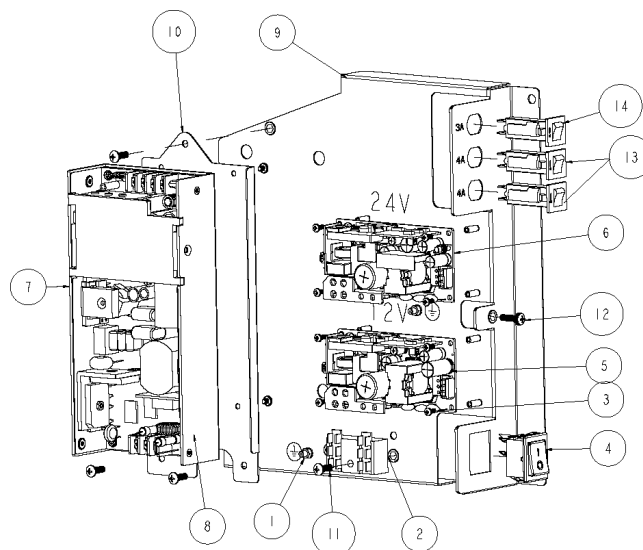
ITEM	PART NUMBER	DESCRIPTION
1	4624	BUSHING SNAP 750H 609ID SB750
2	53253	RETAINER WIRE ED150
3	70023	NUT HEX 04-40 STCA KEPS
4	70076	NUT HEX 08-32 STCA KEPS 1/8
5	70171	SCREW MA 08-32 TRPH 12 SS
6	620054903	STAND-OFF 3/16" .30-.40 BUNDLE DIATWIST LOCK
7	620058355	CONN ETHERNET RJ45
8	620069574	CONN POWER ENTRY MODULE 15A FILTERED
9	620071126	CONN E-SERIES D-SUB PANEL MOUNT
10	620074057	SHELF ASM PS COMP ACSD
11	620074410	LATCH GRAB 5LBS FEMALE
12	620074507	BUSHING STRAIN RELIEF .37"-.43"
13	620074509	SCREW MA 4-40 X 3/8 LOCK PAPH SS
14	620074055	SHELF ASM CB COMP ACSD – 115V
	620074683	SHELF ASM CB COMP ACSD – 230V
15	620073631-006	HARN CONV SENSOR BOARD TO BULKHEAD
16	620073637-001	HARN CONVEYOR MTR PWR
17	620074381	WATER INGRESS BARRIER ACSD
18	620062568-005	CORD POWER, RA IEC60320-C13
	620049959-018	CORD POWER, JAPAN

# CONTROL PANEL ASSY. MFV/MCB



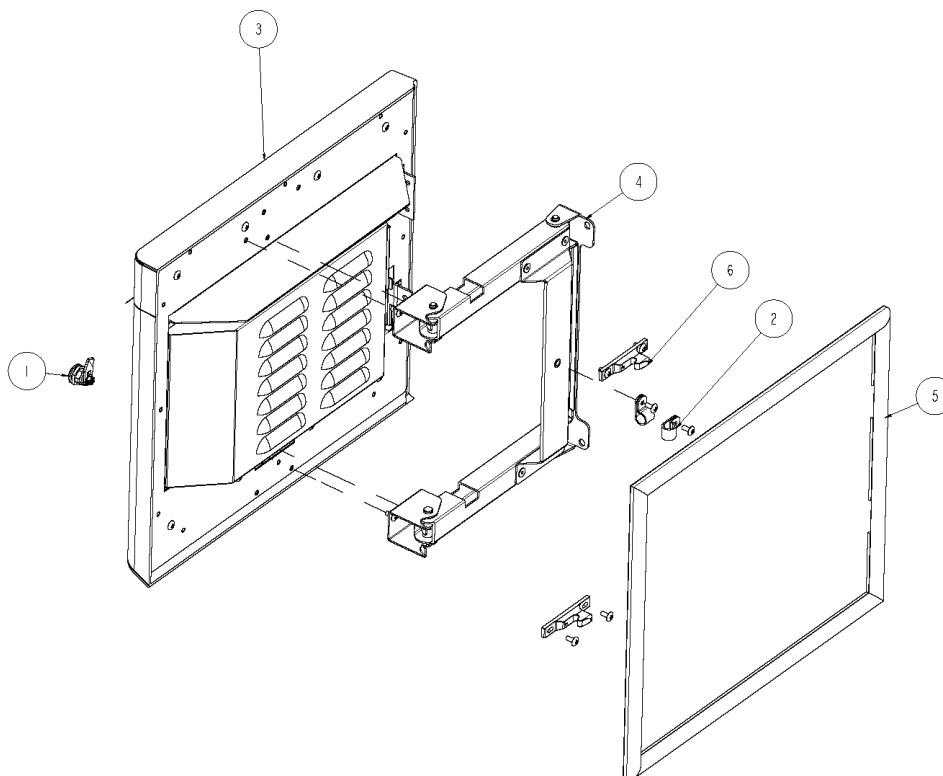
ITEM	PART NUMBER	DESCRIPTION
1	325925000	SUPPORT PC BOARD 3/8
2	620069545	CAPACITOR AGITATOR MOTOR 115V
	620069551	CAPACITOR AGITATOR MOTOR 230V
3	620074056	BRKT SHELF CB COMP ACSD
4	620074422	SCREW 8-32 X 1/2 LONG PAPH SS
5	620073639	CAPACITOR CONVEYOR MTR 115V
	620074660	CAPACITOR CONVEYOR MTR 230V
6	620057808-402	BOARD MFV PCBA 12B/4F/4W NO RELAY
7	629098054	KIT BOARD CIRCUIT MOTION CONTROL ACSD
8	629098052	KIT BOARD CONVEYOR SENSOR INTERFACE
	620073622	HARN USB, TYPE A STRAIGHT TO TYPE B STRAIGHT 1M
	620073623	HARN 12V PWR MFVB TO UI
	620073625	HARN RS458 COMMS MCB TO MFVB
	620065034-002	HARN ICE CHUTE SENSOR W/ JUMPER
	620066713-001	HARN AGITATOR POWER ALT.
	620073631-007	HARN MCB TO CONV SENSOR BOARD
	620073631-008	HARN COMMS MCB TO QMB

# POWER SUPPLY PANEL ASSY



ITEM	PART NUMBER	DESCRIPTION
1	70076	NUT HEX 08-32 STCA KEPS 1/8
2	309898000	BLOCK TERM 12 SPADE
3	620062645	SCREW MA 04-40 PAPH 08
4	620064787	SWITCH ROCKER DPST 20A 250V
5	620069957	PWR-SUPPLY 90-264VAC 130W 12VDC
6	620069958	PWR-SUPPLY 90-264VAC 140W 24VDC
7	620069959	PWR-SUPPLY 90-264VAC 400W 30VDC
8	620073974	SCREW MA 6-32 X 5/32 RDPH 18-8 ST STL
9	620074058	BRKT SHELF PS COMP ACSD
10	620074063	BRKT 30V PWR SUPPLY HZN215
11	620074422	SCREW 8-32 X 1/2 LONG PAPH SS
12	740002250	SCREW MA 08-32 RDPH 20 SS W/INT LOCK WASHER .63L
13	620058545-001	BREAKER 4A CIRCUIT
14	620058545-003	BREAKER 3A CIRCUIT BREAKER
	620066499-001	HARN BREAKER TO 30V PSU HORIZON
	620066659-001	HARN 12V/30V POWER TO MFVB HORIZON
	620066663-001	HARN LINE VOLTAGE TO 30V PSU ACSD
	620067191-002	HARN 24V POWER TO MCB & QMB
	620066662	HARN LINE VOLTAGE TO 12/24V PSU
	620073630	HARN PWR 120V TERM BLK TO MCB
	620073636	HARN SWITCH TO TERMINAL BLK
	620073640	HARNNESS POWER ENTRY TO SWITCH
	620073645	JUMPER GRN/YEL 16AWG 5"L .187" QD TO #8 RING

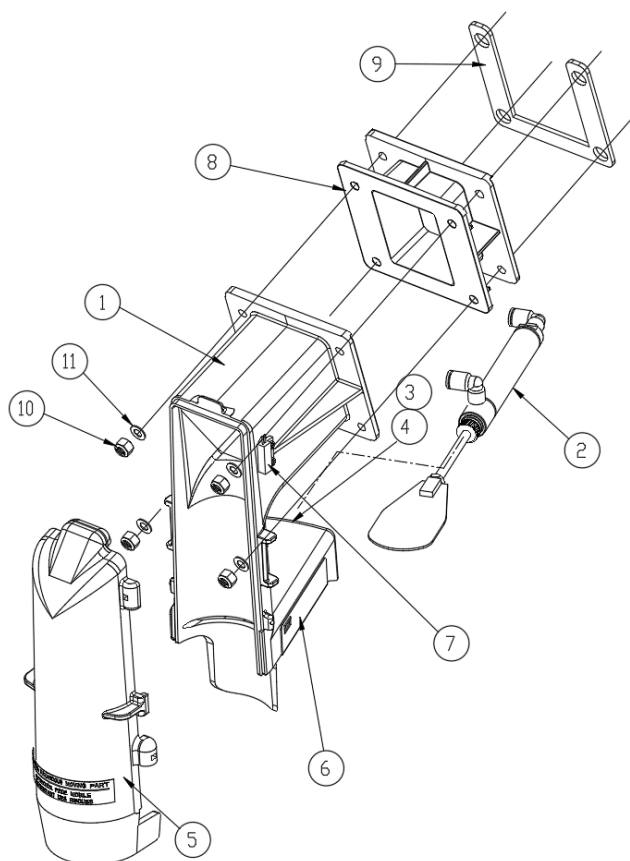
# DOOR DISPLAY ASSEMBLY (620074040)



ITEM	PART NUMBER	DESCRIPTION
1	620066502	LOCK & KEY DOOR
2	620073951	CLAMP "P"
3	629098048	KIT DOOR WITH DISPLAY ACSD
4	629098050	KIT HINGE ASSEMBLY ACSD
5	629098051	KIT DOOR GASKET ACSD
6	629098049	KIT DOOR LATCH ACSD

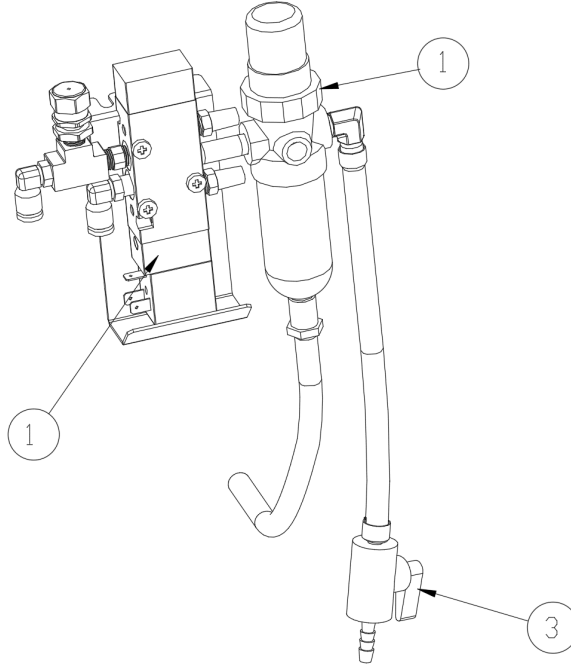


# PROGATE ICE CHUTE ASSY (620073812)



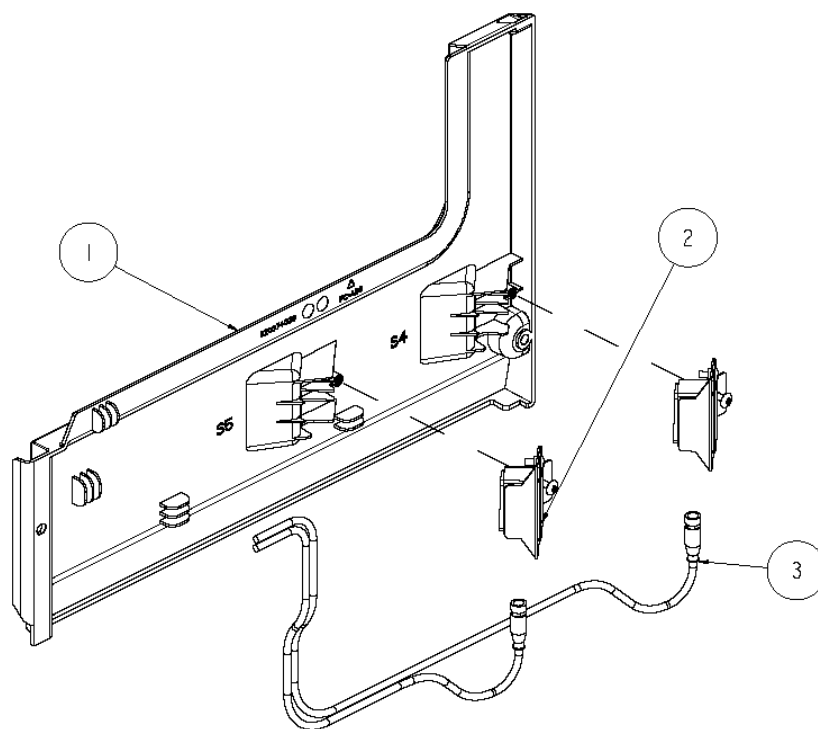
ITEM	PART NUMBER	DESCRIPTION
1	620518521	ICE CHUTE
2	620200411	CYLINDER AIR DOUBLE ACTING 2-1
3	620702505	BUSHING MACH 5/8X1X.048 SS
4	620701208	NUT HEX 5/8-18 SS JAM-SPC
5	629098055	KIT ICE CHUTE COVER
6	620073813	CYLINDER ENCLOSURE
7	620314527	SENSOR POSITION ICE CHUTE
8	620073327	ICE CHUTE EXTENSION
9	620710129	GASKET ICE CHUTE
10	70066	WASHER FT 265 750 055
11	620709132	NUT- HEX 1/4-20 SS NYLOCK
12	560001508	TUBE POLY 125IDX250OD 85DUR
13	620720766	TUBE POLYU .250 OD X .0425 WALL CLEAR RED

# PROGATE VALVE & REGULATOR ASSEMBLY (620074379)



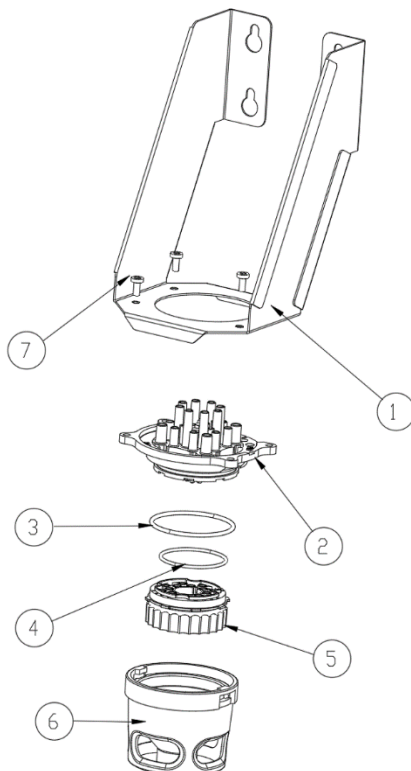
ITEM	PART NUMBER	DESCRIPTION
1	620313711	VALVE 5/2 - 24VDC
2	620066718	FITG BARB 1/4 X 1/8FPT
3	325012000	VALVE 2 WAY
4	312926000	CLAMP OETIKER 484OPEN STPLS #12.3
5	620048997	TUBG TYGON 1/4" ID

# LEFT SPLASH PANEL ASSY (620074173)



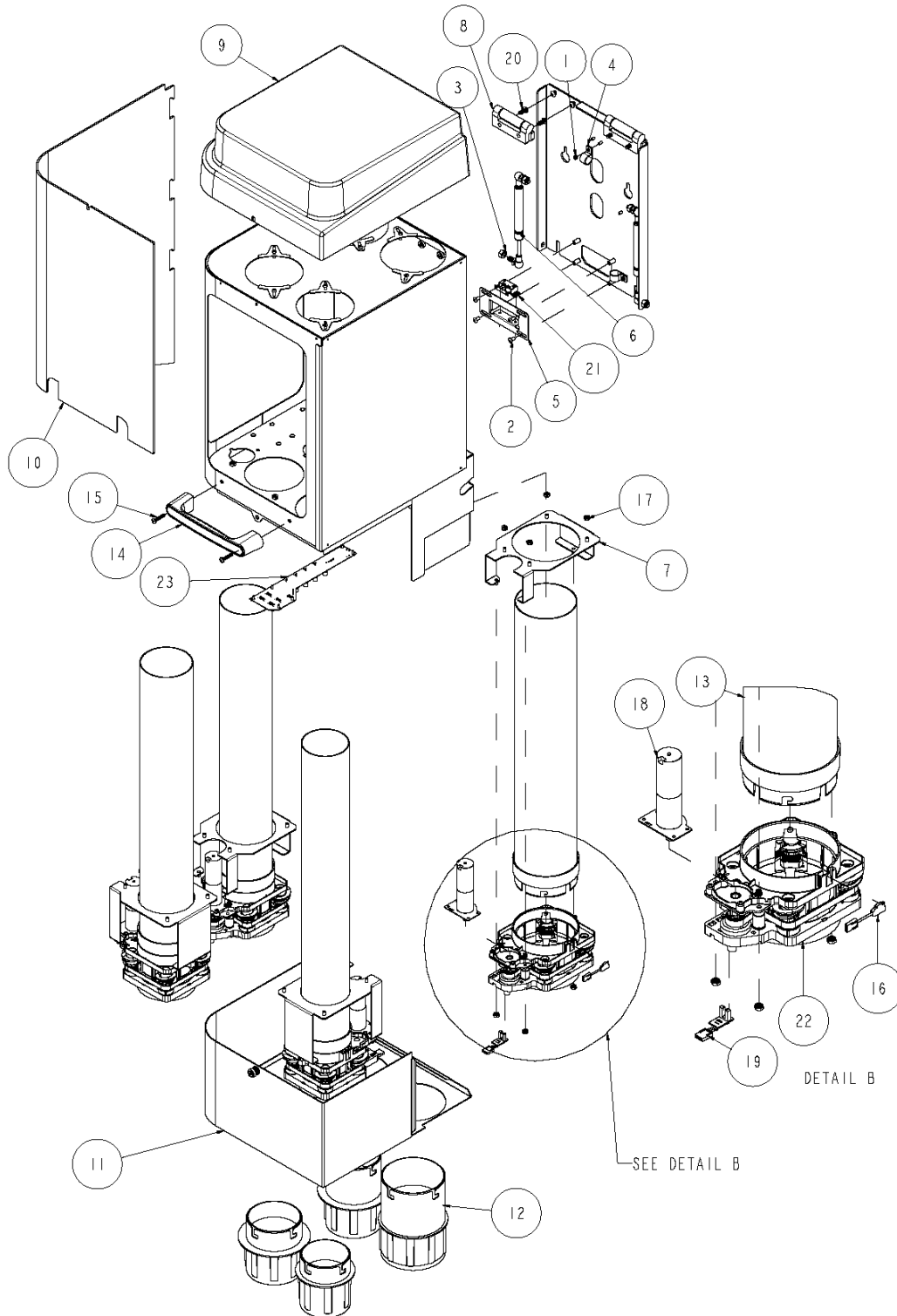
ITEM	PART NUMBER	DESCRIPTION
1	620074029	PANEL SPLASH
2	629098040	KIT CUP SENSOR REAR PANEL ACSD
3	620073642-005	HARN CONV SENSOR SPLIT 2-WAY REAR

# NOZZLE ASSEMBLY (620073765)



ITEM	PART NUMBER	DESCRIPTION
1	620073804	BRKT NOZZLE MOUNTING
2	620074637	NOZZLE PLUMB ASM 12/4/4 ACSD MID CARB
	620074638	NOZZLE PLUMB ASM 12/4/2 ACSD GENERAL
3	620716317	O-RING 2.05ID 103CS 65DU E14
4	620716316	O-RING 1.7692. 65DU E14
5	620062012	DIFFUSER MFV HIGH FLOW
6	620062705	NOZZLE ASM 12/4/4 HORIZON
7	70171	SCREW MA 08-32 TRPH 12 SS

# CUP DROPPER ASSEMBLY



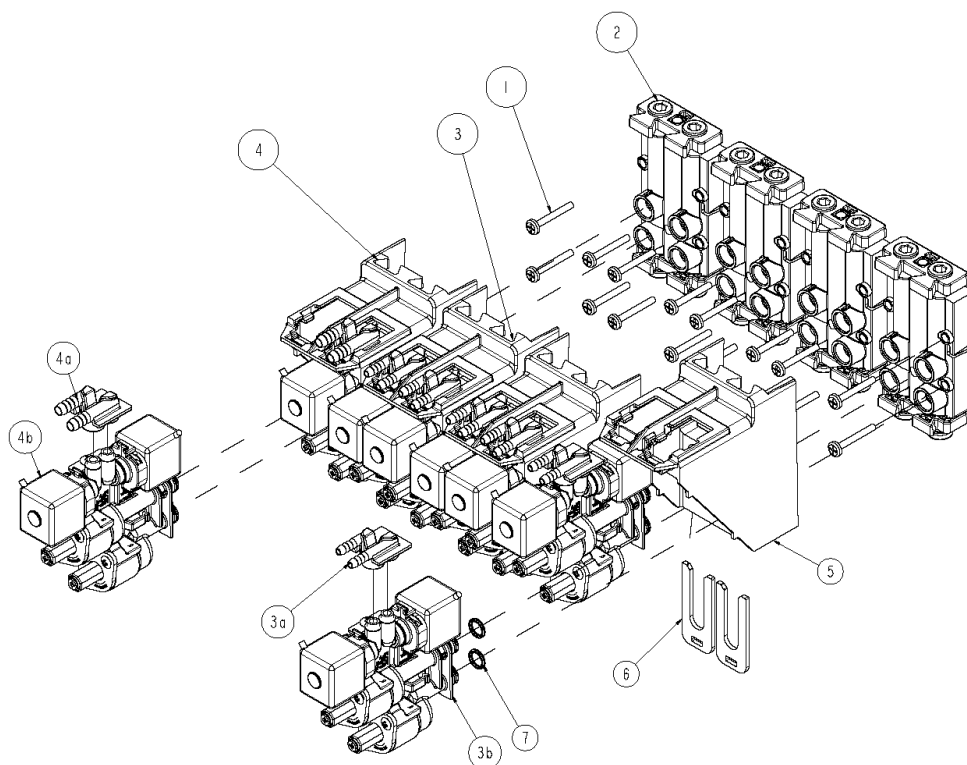


ITEM	PART NUMBER	DESCRIPTION
1	70076	NUT HEX 08-32 STCA KEPS 1/8
2	70242	SCREW MA 10-32 TRPH 12 SS
3	560003275	NUT HEX 5/16-18 STZI NYLOK
4	620068468	CLAMP CABLE FIXED .625
5	620073502	BRKT - GUIDE/MOUNT LATCH, HOPPER SIDE
6	620073816	STRUT GAS ACSD
7	<b>SEE CHART A</b>	SPACER - CUP DISP
8	620074154	HINGE - FRICTION, PLASTIC
9	629098045	KIT CUP DISPENSER FRAME LID
10	620074156	WRAP - PLASTIC, SMOKED
11	620074167	HOUSING - LOWER SHROUD
12	<b>SEE CHART A</b>	TUBE - EXIT CHIMNEY
13	<b>SEE CHART A</b>	ASM - UPPER TUBE
14	620074392	HANDLE FRONT MOUNT BLACK ABS ACSD
15	620074394	SCREW 10-32 X 1 INCH PAPH SS
16	620074401	SENSOR, LOW CUP, W/HARNESS
17	620074402	NUT 10-32 LOCK SS
18	629098043	KIT CUP DISPENSER MOTOR ACSD
19	620074571	HARN CAM DRIVE HOME SENSOR
20	620074692	SCREW 1/4"-20 X 9/16" HEX RND HD SS
21	629098046	KIT CUP DISPENSER FRAME LATCH
22	<b>SEE CHART A</b>	ASM - CUP DISP
23	629098042	KIT CUP DISPENSER QMB ACSD

CUP DROPPER COMBINATION CHART				
ITEM →	22	13	12	7
SIZE ↓	ASM - CUP DISP	ASM - UPPER TUBE	TUBE EXIT CHIMNEY	SPACER - CUP DISP
A	620074444-XYZ	620074386	620074253	620074144
B	620074445-XYZ	620074387	620074254 (SHORT) / 620074255 (LONG)	620074145(SHORT) / 620074146 (LONG)
C	620074446-XYZ	620074388	620074256	620074147
D	620074447-XYZ	620074389	620074257	620074148

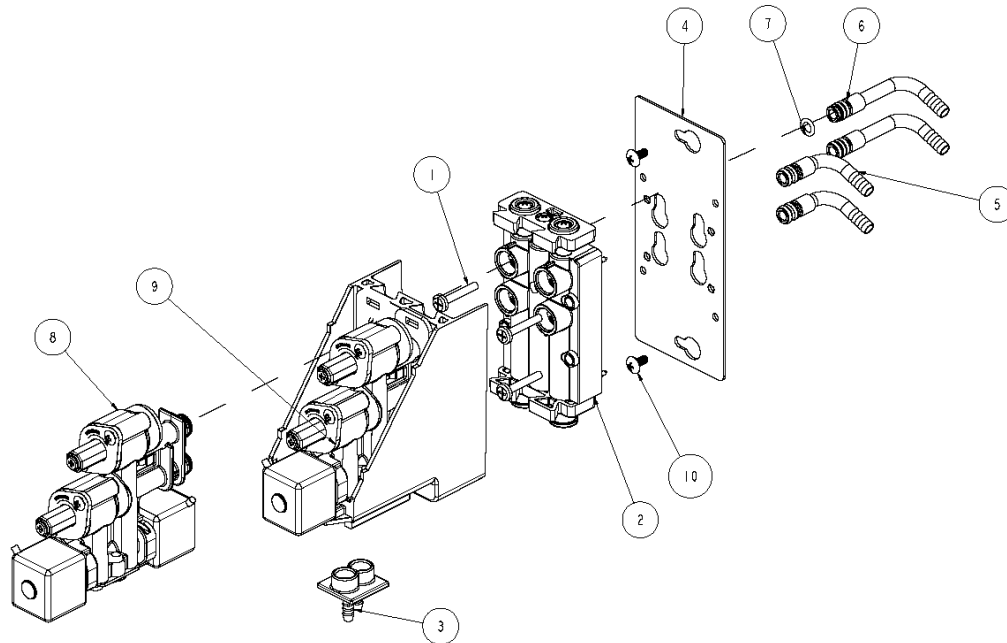
ASM - CUP DISP COMBINATION MATRIX			
<b>X - CAM</b>	1	620074448	SML BLUE CAMS
	2	620074449	MED YELLOW CAMS
	3	620074450	LARGE GREEN CAMS
<b>Y- FLAP</b>	1	620074500	SMALL PEELER FLAP
	2	620074501	LARGE PEELER FLAP
<b>Z-TUBE</b>	0	NO TUBE	
	1	WITH TUBE	

# BEVERAGE VALVE SYSTEM



ITEM	PART NUMBER	DESCRIPTION
1	2072	SCREW TR 10-32 PAPH 40 SS
2	620056832	BACK BLOCK ASSY, 2X2, MFV
3	620058272-029	VAL ASSY 2 X 2 BRAND SLND FLIP MFV
3a	620057859	BARB ADAPTER, 3/16" TUBING, MFV
3b	620056892S-01	SYRUP VALVE BODY SLND FLIP ASSY, MFV
4	620065917-017	VAL ASSY 1 X 2 WATER SLND FLIP MFV
	620065917-018	VAL ASSY 2 X 2 WATER SLND FLIP MFV
4a	620057860	BARB ADAPTER, 1/4" TUBING, MFV
4b	620065886MSD-01	BODY VALVE HI LO WATER SLND FLIP ASSY
5	620057857	BASE, 2-MODULE, MFV
6	620058297	CLIP VALVE MODULE MFV
7	620059773	QUAD-RING 364ID 070CS 70DU 559PE

# FLAVOR VALVE OPTION

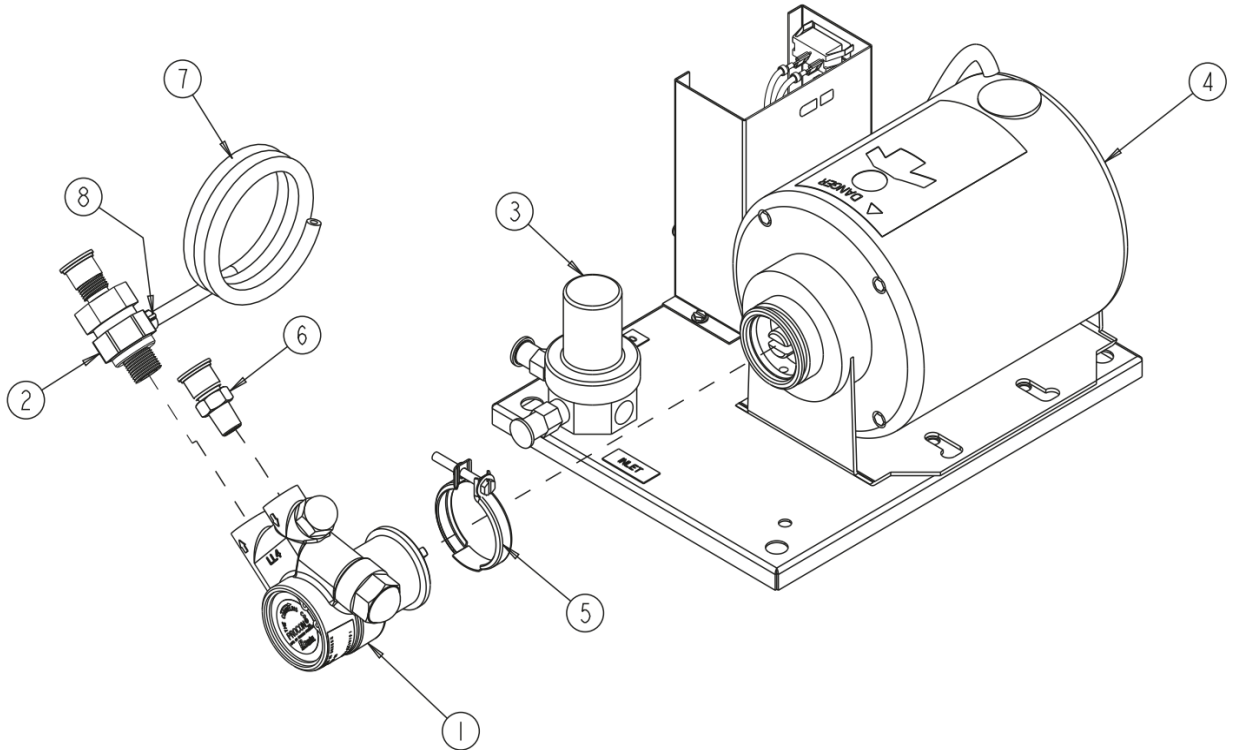


ITEM	PART NUMBER	DESCRIPTION
1	318308000	SCREW TR 10-32 PAPH 32 SS HRD
2	620056832	BACK BLOCK ASSY, 2X2, MFV
3	620063627	ADAPTER BARB 3/16" TUBG MFV RF255
4	620074365	PLATE MFV 2X2 ADD-ON HZN215
5	620709068	FITG L-MIX 1/4BRB X 1/4 SS
6	620709073	FITG-VAL DOLE L 90DEG RED O-RING
7	740001852	O-RING 239ID 077CS 70DU E16
8	620056892F	FLAVOR VALVE BODY ASSY, MFV
9	620065917-013	VALVE ASSY 2 X 2 FLAVOR STG BARB
10	70171C	SCREW MA 08-32 TRPH 12 SS TL



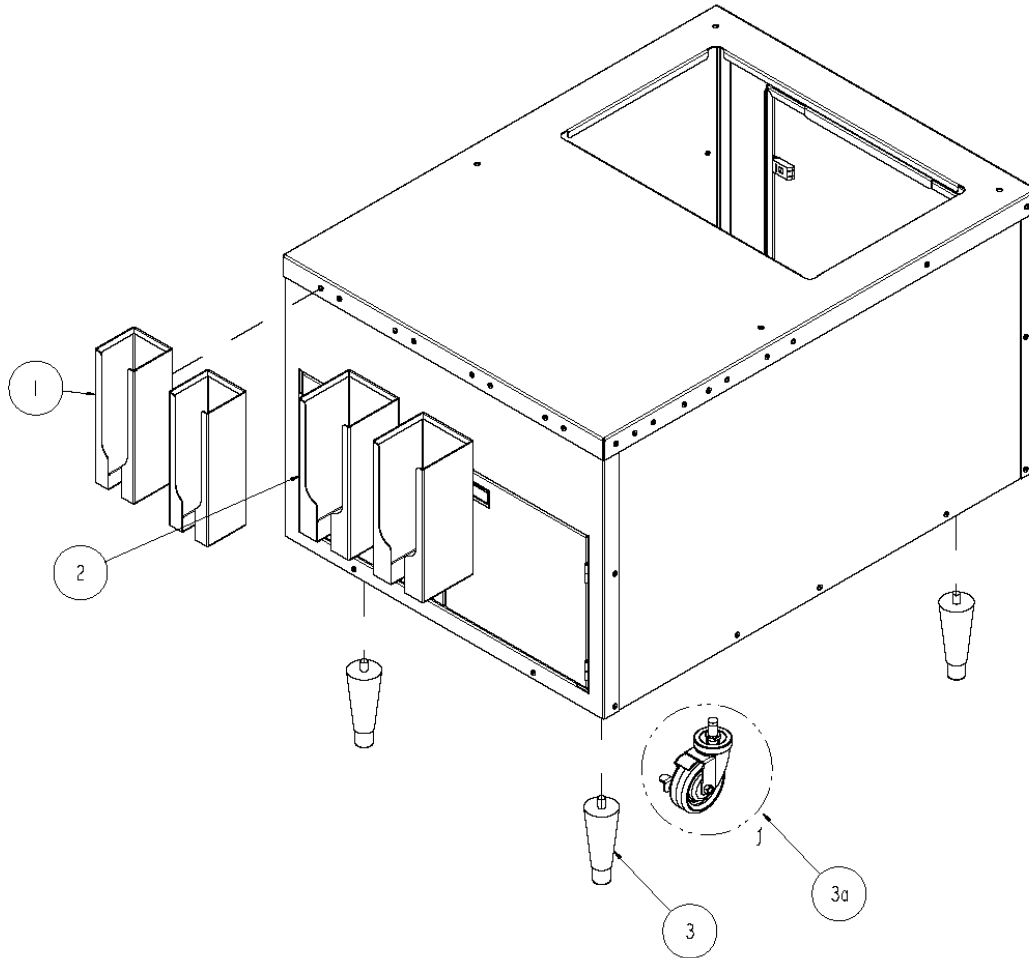
# PUMP AND MOTOR ASSEMBLY

PART NUMBER	DESCRIPTION
629097874	KIT PUMP/MTR 115V
740002836	KIT PUMP/MTR 230V



ITEM	PART NUMBER	DESCRIPTION
1	60170LL	PUMP 125GPH W/S TRN PROCON LOW
2	620608773	VALVE CHK VENTED 3/8 MPT 5/8-1
3	620709802-001	REG PRESET 75PSI CARB DECK GENERIC
4	71860673	MOTOR PUMP 230V
	60030058	MOTOR PUMP 115V
5	187483000	CLAMP V 2" D PUMP & MOTOR
6	111337000	FITG STGHT 3/8MPT X 3/8 MF BR 5/8-18M
7	174004000	TUBING .156"ID X .312"OD
8	311527000	CLAMP OETR 344OPEN STPLS #8.7

# CART ASSEMBLY



ITEM	PART NUMBER	DESCRIPTION
1	620074633	LID HOLDER XS/S FOR LIP DIA < 3.5"
2	620074634	LID HOLDER M/L FOR LIP DIA 3.6" - 4.6"
3	AE61-5002-C	COMPONENT HARDWARE, LEG 6" ADJ
3a (OPTIONS)	WC-5050-03-HDP-TLB	CASTER WAREHOUSE, 5"X1-1/4" WHEEL, SWIVEL, WITH BRAKES
	WC-5050R-03-HDP	CASTER WAREHOUSE, 5"X1-1/4" WHEEL, RIGID



---

## ACCESSORIES

ITEM	PART NUMBER	DESCRIPTION
1	620074183	GUARD WIND ACSD ASY
2	629098026	KIT BRAND ADD-ON 2X2 ACSD
3	629098027	KIT FLAVOR ADD-ON 2X2 ACSD
4	620074738	CHECK VALVE 426 PVC 3/8 BARB
5	629098036	KIT INSTALLATION ACSD
6	621058802	CART ASY ACSD

**Marmon Foodservice Technologies Inc.**  
[www.marmonfoodservice.com](http://www.marmonfoodservice.com)  
[www.cornelius-usa.com](http://www.cornelius-usa.com)