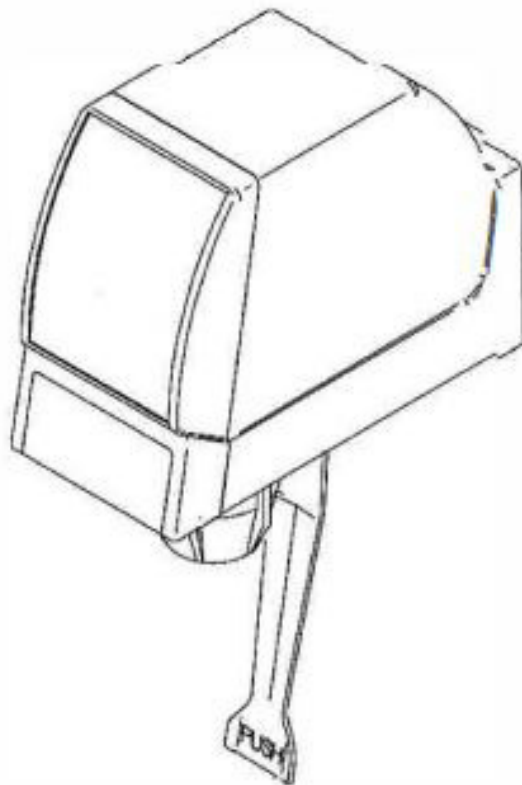




SFV1 POST MIX-DISPENSING VALVE

ILLUSTRATED PARTS LIST



Release Date: 2005

Publication Number: 620608761IPL

Revision Date: December 20, 2020

Revision: R

Visit the Cornelius web site at www.cornelius.com for all your Literature needs.

Notice

The products, technical information, and instructions contained in this manual are subject to change without notice. These instructions are not intended to cover all details or variations of the equipment, nor to provide for every possible contingency in the installation, operation or maintenance of this equipment. This manual assumes that the person(s) working on the equipment have been trained and are skilled in working with electrical, plumbing, pneumatic, and mechanical equipment. It is assumed that appropriate safety precautions are taken and that all local safety and construction requirements are being met, in addition to the information contained in this manual.

This Product is warranted only as provided in Cornelius' Commercial Warranty applicable to this Product and is subject to all of the restrictions and limitations contained in the Commercial Warranty.

Cornelius will not be responsible for any repair, replacement or other service required by or loss or damage resulting from any of the following occurrences, including but not limited to, (1) other than normal and proper use and normal service conditions with respect to the Product, (2) improper voltage, (3) inadequate wiring, (4) abuse, (5) accident, (6) alteration, (7) misuse, (8) neglect, (9) unauthorized repair or the failure to utilize suitably qualified and trained persons to perform service and/or repair of the Product, (10) improper cleaning, (11) failure to follow installation, operating, cleaning or maintenance instructions, (12) use of "non-authorized" parts (i.e., parts that are not 100% compatible with the Product) which use voids the entire warranty, (13) Product parts in contact with water or the product dispensed which are adversely impacted by changes in liquid scale or chemical composition.

Correct Disposal of this Product

This marking indicates that this product should not be disposed with other household wastes throughout the EU. To prevent possible harm to the environment or human health from uncontrolled waste disposal, recycle it responsibly to promote the sustainable reuse of material resources. To return your used device, please use the return and collection systems or contact the retailer where the product was purchased. They can take this product for environmental safe recycling.

Trademarks and Copyrights

This document contains proprietary information and it may not be reproduced in any way without permission from Cornelius. This document contains the original instructions for the unit described.

Marmon Foodservice Technologies, Inc.
101 Regency Drive
Glendale Heights, IL
Tel: + 1 800-238-3600

Printed in U.S.

Contact Information

To inquire about current revisions of any documentation or assistance with any Cornelius product, contact:

www.cornelius.com
800-238-3600

SFV1[®] POST-MIX DISPENSING VALVE

Part Numbers	Description	Flow Rate (Oz/Sec)
620608761	Sanitary Lever Valve, ceramic regulator, with mounting block & covers	1.5-3.0
620608766	Sanitary Lever Valve, ceramic regulator, without mounting block & covers	1.5-3.0
620608762	Push Button Valve, ceramic regulator, with mounting block & covers	1.5-3.0
620608767	Push Button Valve, ceramic regulator, without mounting block & covers	1.5-3.0
620608763	Portion Control Valve with mounting block & cover	1.5-3.0
620608768	Portion Control Valve without mounting block & cover	1.5-3.0
620609131	Short Lever Valve, ceramic regulator, with mounting block & covers	1.5-3.0
620609132	Short Lever Valve, ceramic regulator, without mounting block & covers	1.5-3.0
620608764	Optifill™ Lever Valve, ceramic regulator, with mounting block & covers	1.5-3.0
620608769	Optifill™ Lever Valve, ceramic regulator, without mounting block & covers	1.5-3.0
620066649	Illuminated safety lever valve, ceramic regulator with mounting blocks & covers	1.5-3.0
620066650	Illuminated safety lever valve, ceramic regulator without mounting blocks & covers	1.5-3.0

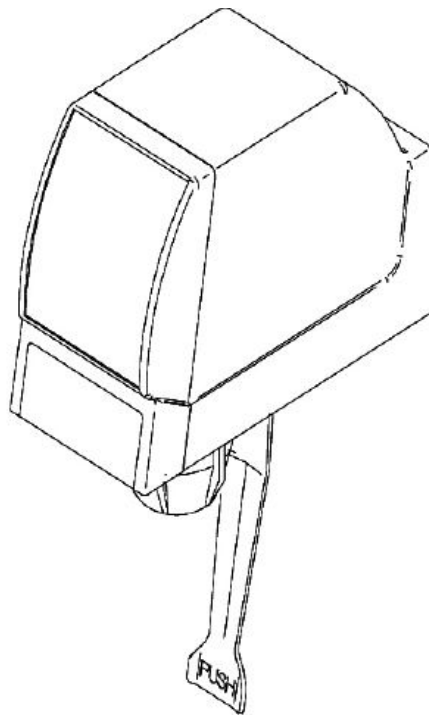


Figure 1.

SFV1 VALVE ASSEMBLY

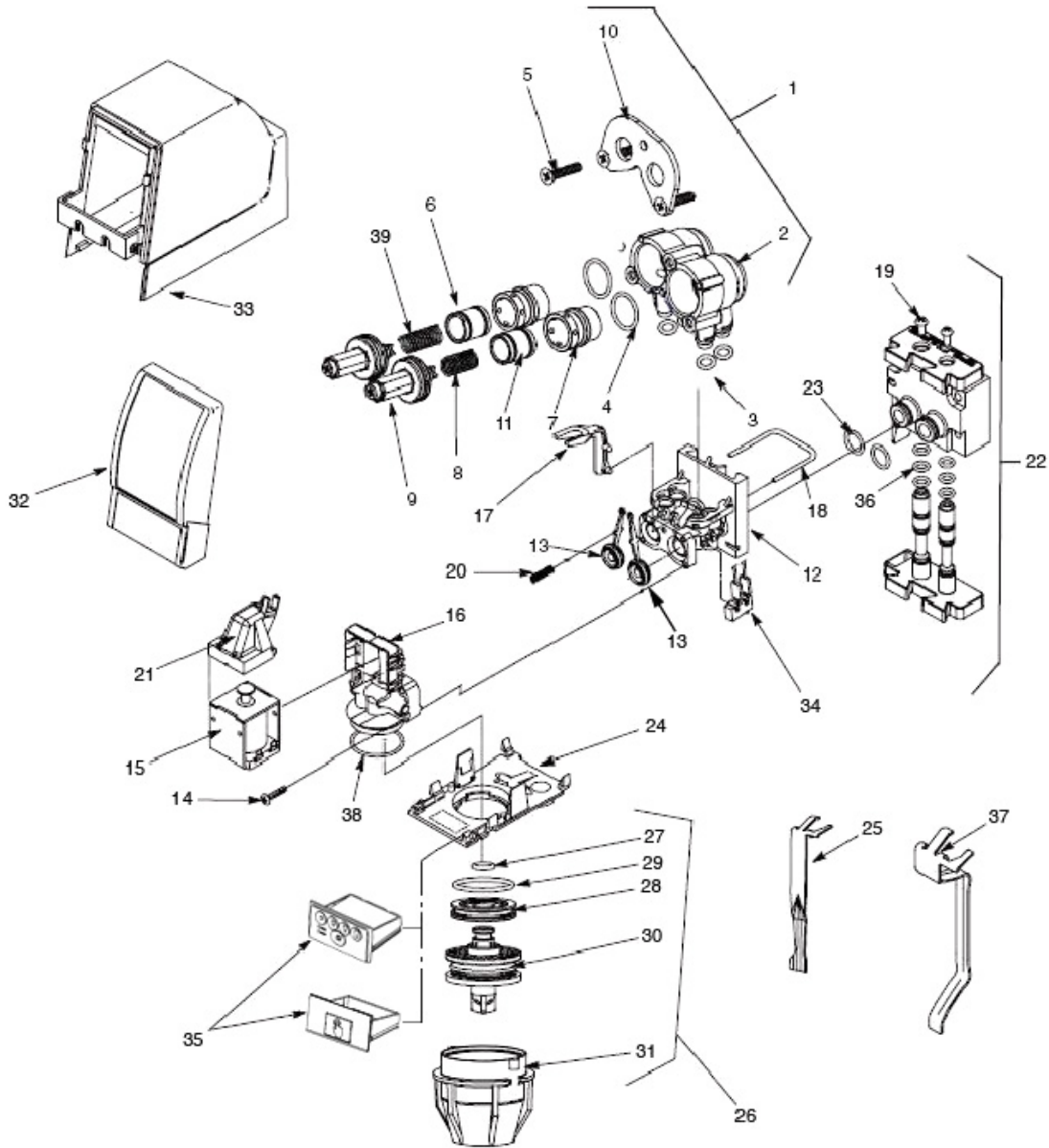


Figure 2.



Item No.	Part No.	Description
1	620408507	Flow Control Assy 1.5-3 Oz/Sec. (Includes 2-11 & 39)
2	620715734	Body Flow Control 1.5-3oz/sec.
3	740001852	O-Ring 239ID 077CS 70DU E16
4	317816000	O-Ring.676 I.D.
5	620720593	Screw FHTD 10 x 7/8 Type B
6	620052858	Piston Water Reg 1.5-3 oz/sec.
7	1934	Cylinder Flow Control
8	1940	Spring, Flow Control 1.5-3 Oz/Sec.
9	620720806	Screw Adj Flow Assy
10	620046356	Retainer Body Flow Control
11	310480011	Piston Syr Reg 1.5-3 Oz/Sec.
12	1900	Body Valve
13	1947	Valve Banjo (Black)
14	2318	Screw TT 06-19 PAPH 24 SS
15	1918	Solenoid Pull AC
16	620609109	Head, Valve Assy (Includes 38)'
17	620316512	Actuator Arm
18	1930	Retainer U-Pin Flow Control
19	151841000	Screw TT 06-19 RDPH 10 SS
20	1931	Spring, Return Valve
21	620050595	Cover Solenoid
22	620518152	Block Mtg Assy (Includes 19, 23, 36)
23	312414000	O-Ring.426 I.D.
24	1903	Plate Bottom
25	4965	Lever, Short
26	620715830	Nozzle Assy, Blk (Includes 27-31)
27	740001852	O-Ring 239ID 077CS 70DU E16
28	1913	Diffuser
29	311086000	O-Ring.926 I.D.
30	1917	Baffle Inner Assy, Black
31	1945	Nozzle, Black
32	620050574	Cover, Valve Front, Gray
	620050576	Cover Valve Front with Cut-out, Gray
	1956	Cover, Valve Front, Black
	1951	Cover, Valve Front with Cut-out, Black
33	620050575	Cover, Valve Back, Gray
	1950	Cover, Valve Back, Black
34	740002315	Switch & Lead Assy
	560002596	Switch, Micro
	1923	Switch & Lead Assy, Self Serve
35	2325	Module Assy, Self Serve
	3518-300	Portion Control Module
36	150309000	O-Ring.208 I.D.
37	560003193	Lever, Self Serve (Sanitary)
38	183184000	O-Ring 1.171 I.D.
39	560006176	Spring, Flow Control

ILLUMINATED VALVE COVER

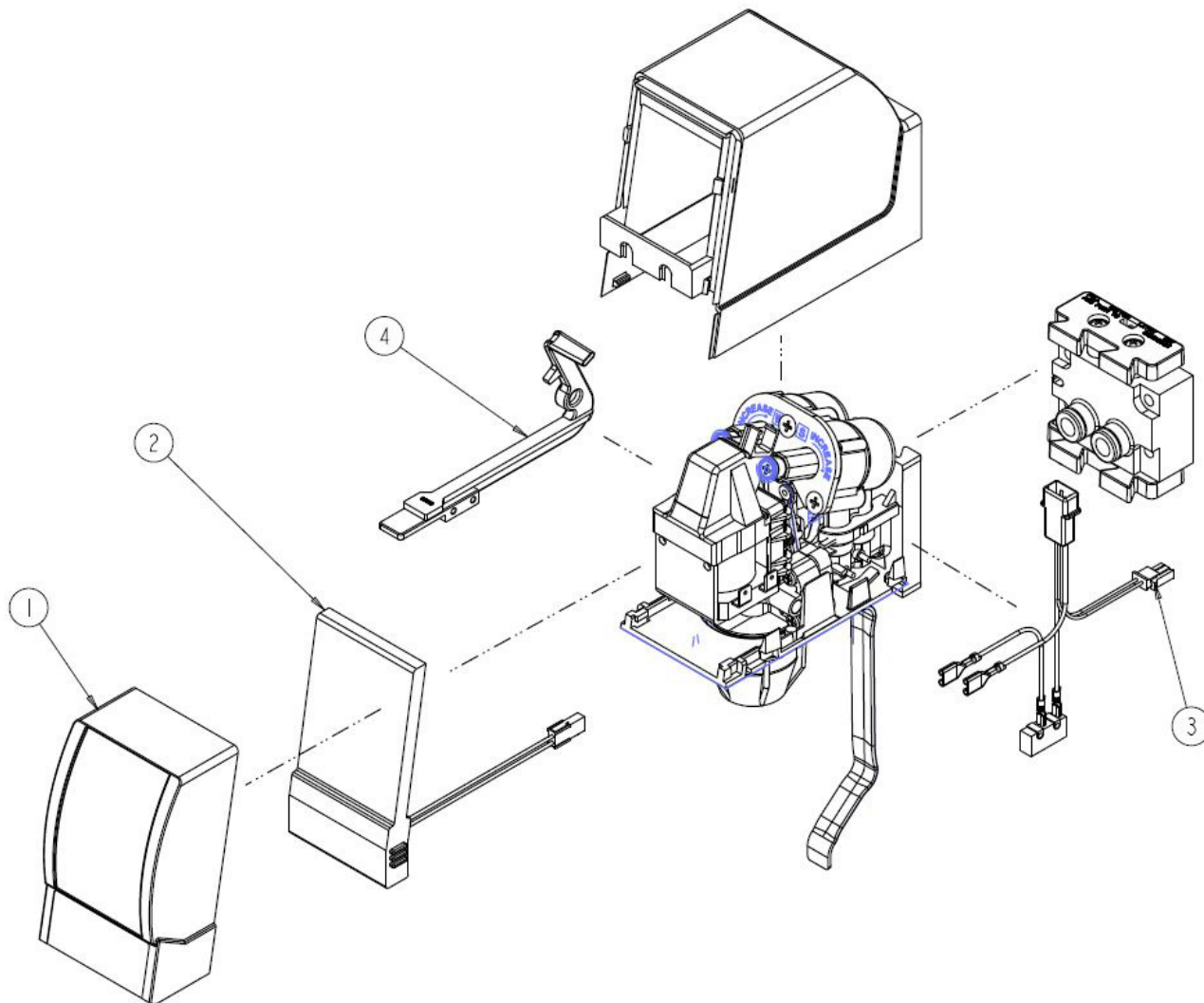


Figure 3.

Item No.	Part No.	Description
1	620065122	Cover Valve SFV1 Illuminated Front
2	620065120	LED Light Module
3	620065009	Harness Assembly Illuminated Valve without Switch
4	859000142	UF1 Water Lever with Extension

NOTE: The above items are contained in the following conversion KIT

KIT Part No.	Description
629097630	Kit CONV Illuminated SFVSL

SFV1 POST-MIX DISPENSING VALVE

Accessories/Kits



Figure 4

Part No.	Description
311100000	Brix Cup 5-5.5 to 1 Ratio
3297	Water Lever Kit
319540000	Seperator Syrup S/Tube, SFV1

Part No.	Description
0858	Brix Cup 4.75/5.25 Ratio



Figure 5

Cornelius Inc.
www.cornelius-usa.com