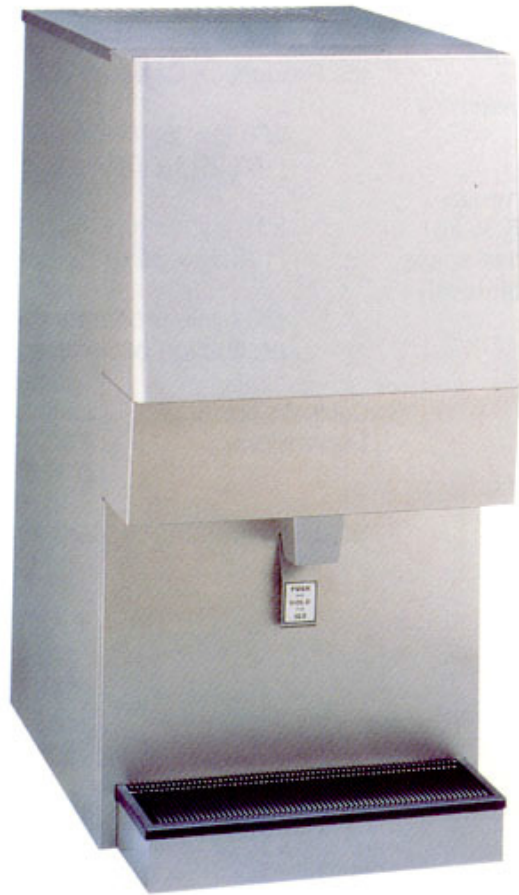




COUNTER TOP ICE MAKER IMD SERIES

Illustrated Parts List



Release Date: March 12, 2004

Publication Number: 638085277IPL

Revision Date: December 10, 2019

Revision: N

Visit the Cornelius web site at www.cornelius.com for all your Literature needs.

The products, technical information, and instructions contained in this manual are subject to change without notice. These instructions are not intended to cover all details or variations of the equipment, nor to provide for every possible contingency in the installation, operation or maintenance of this equipment. This manual assumes that the person(s) working on the equipment have been trained and are skilled in working with electrical, plumbing, pneumatic, and mechanical equipment. It is assumed that appropriate safety precautions are taken and that all local safety and construction requirements are being met, in addition to the information contained in this manual.

This Product is warranted only as provided in Cornelius' Commercial Warranty applicable to this Product and is subject to all of the restrictions and limitations contained in the Commercial Warranty.

Cornelius will not be responsible for any repair, replacement or other service required by or loss or damage resulting from any of the following occurrences, including but not limited to, (1) other than normal and proper use and normal service conditions with respect to the Product, (2) improper voltage, (3) inadequate wiring, (4) abuse, (5) accident, (6) alteration, (7) misuse, (8) neglect, (9) unauthorized repair or the failure to utilize suitably qualified and trained persons to perform service and/or repair of the Product, (10) improper cleaning, (11) failure to follow installation, operating, cleaning or maintenance instructions, (12) use of "non-authorized" parts (i.e., parts that are not 100% compatible with the Product) which use voids the entire warranty, (13) Product parts in contact with water or the product dispensed which are adversely impacted by changes in liquid scale or chemical composition.

Contact Information:

To inquire about current revisions of this and other documentation or for assistance with any Cornelius product contact:

**www.cornelius.com
800-238-3600**

Trademarks and Copyrights:

This document contains proprietary information and it may not be reproduced in any way without permission from Cornelius.

This document contains the original instructions for the unit described.

CORNELIUS INC
101 Regency Drive
Glendale Heights, IL
Tel: + 1 800-238-3600

Printed in U.S.A.

IMD 300-15 CABINET PARTS ASSEMBLY AND PARTS LIST

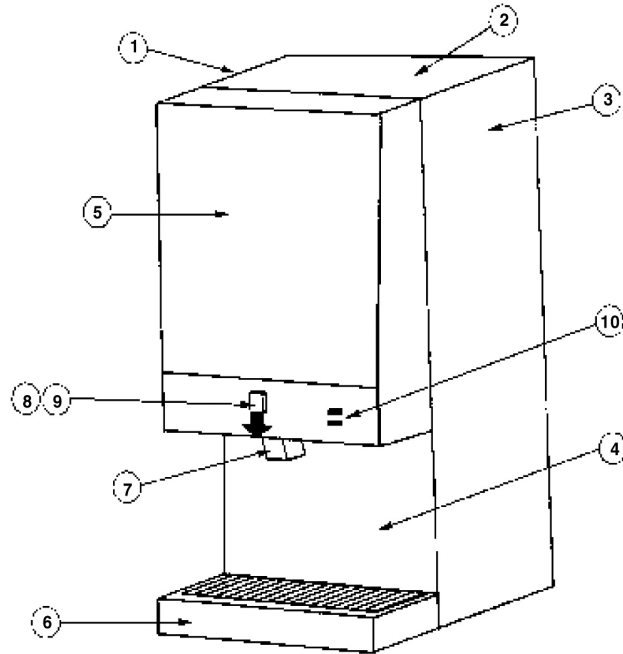


Figure 1.

Item No.	Part No.	Name
1	638032724	PANEL LEFT SIDE
2	638032731	PANEL TOP
3	638032721	PANEL RIGHT SIDE
4	638032768-002	SPLASH PANEL ASSY. PUSH BUTTON
	630000689	SPLASH PANEL ASSY. LEVER
5	638032715-007	FRONT PANEL PUSH BUTTON
	630000895	FRONT PANEL LEVER
	620070033	FRONT PANEL PUSH BUTTON ICE ONLY
6	638032766	DRAIN TRAY KIT (TRAY, GRILL & SKIRT)
	620070039	DRIP TRAY ASSY (UNIFORM GRILL SPACING)
	638032765	DRAIN TRAY ASSEMBLY
	638032729	GRILL DRAIN TRAY
	620070034	GRILL DRAIN TRAY (UNIFORM GRILL SPACING)
	638032725	DRAIN TRAY SKIRT
7	638032822	ICE CHUTE
8	638038588	COVER DISPENSE SWITCH, PUSH BUTTON
9	638038589	SWITCH DISPENSE, PUSH BUTTON
10	620071322	SWITCH ROCKER
*	638032818	WIRE HARNESS FRONT COVER
*	620070037	WIRE HARNESS FRONT COVER ICE ONLY

NOTE: * Not Shown

IMD 300-30 AND IMD 600-30 CABINET PARTS ASSEMBLY AND PARTS LIST

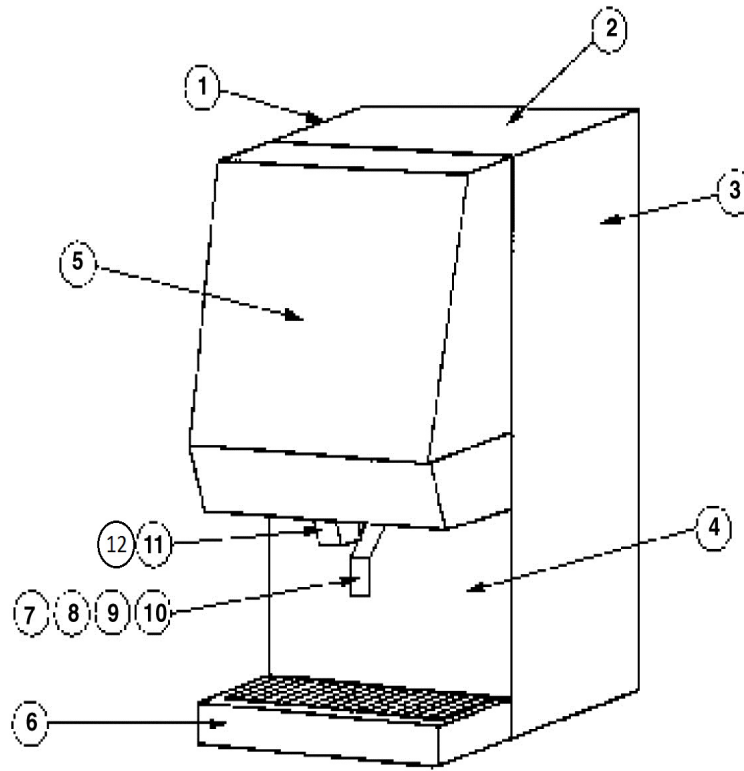


Figure 2.

Item No.	Part No.	Name
1	638032037	PANEL LEFT SIDE
2	620047484	PANEL TOP
	620055915	PANEL TOP (IMD600-30)
3	638032036	PANEL RIGHT SIDE
4	638032145-001	SPLASH PANEL LEVER ACTUATED
	638032145-006	SPLASH PANEL PUSH BUTTON
5	630000347	PANEL FNT ASY IMD300-30 C
	630000348	PANEL FNT ASY IMD600-30 C
6	638032050	DRAIN TRAY KIT (TRAY, GRILL & SKIRT)
	638032043	DRAIN TRAY ASSEMBLY
	638032044	GRILL DRAIN TRAY
	638032041	DRAIN TRAY SKIRT
7	638006529	COVER SWITCH LEVER ACTUATED

Item No.	Part No.	Name
8	638008315	SWITCH DISPENSE LEVER ACTUATED
9	638031162	BOOT SWITCH LEVER ACTUATED
10	638009627	PLATE DISPENSE LEVER ACTUATED
11	620066646	BRKT SOLENOID MOUNTING IMD
12	620066647	ICE CHUTE IMD 300/600 30
*	638032049	LABEL "PUSH & HOLD FOR ICE"
*	638038589	SWITCH DISPENSE, PUSH BUTTON
*	638011600	WIRE ASY DISPENSE SWITCH (PUSH BUTTON ACTUATED)
*	638038588	COVER DISPENSE SWITCH, PUSH BUTTON
*	638011643	CABLE ASY. LEVER ACTUATED

NOTE: * Not Shown

IMD 600-90 CABINET PARTS ASSEMBLY AND PARTS LIST

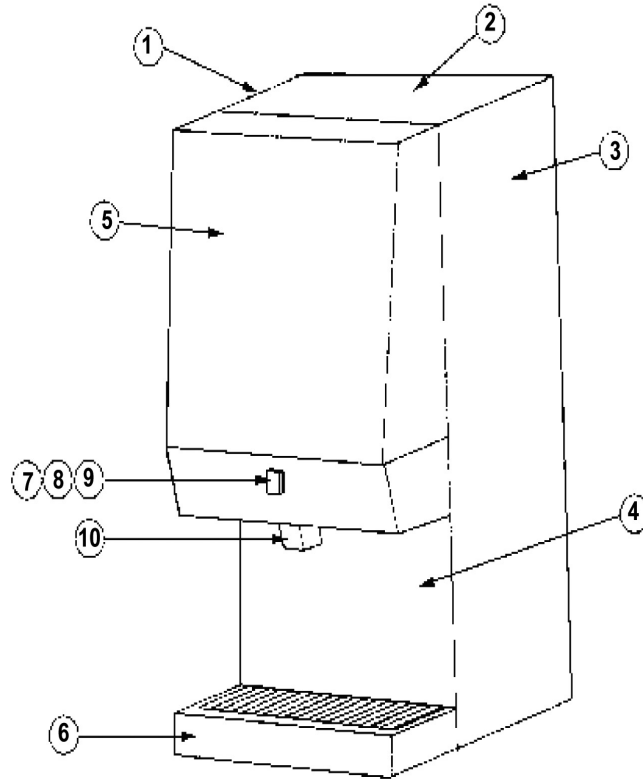


Figure 3.

Item No.	Part No.	Name
1	638032539	PANEL LEFT SIDE
2	638032537	PANEL TOP
3	638032538	PANEL RIGHT SIDE
4	638032040-001	PANEL SPLASH ASY
5	638032536-002	FRONT COVER, PUSH BUTTON
6	638032548	DRAIN TRAY KIT (TRAY, GRILL & SKIRT)
	638059270	KIT-SPLASH PANEL 3FL
	638058805	GRILL DRAIN TRAY
	638032531	CUP-REST IMD-600 STND 20.5X5.2
	638033509	GRILL DRAIN TRAY, 8 VALVE DRINK FRONT
7	638038588	COVER DISPENSE SWITCH PUSH BUTTON

Item No.	Part No.	Name
8	638038589	SWITCH DISPENSE PUSH BUTTON
9	638011558	CABLE ASY DISP SWITCH
	638008315	SWITCH DISPENSE LEVER ACTUATED
	638011643	CABLE ASSY. LEVER ACTUATED
	638031162	BOOT SWITCH, LEVER ACTUATED
10	638032287	ICE CHUTE
*	630000414	PANEL FNT ASY IMD600-90 C
*	638006529	COVER SWITCH, LEVER ACTUATED

NOTE: * Not Shown

REFRIGERATION AND FRAME ASSEMBLY IMD 300-15

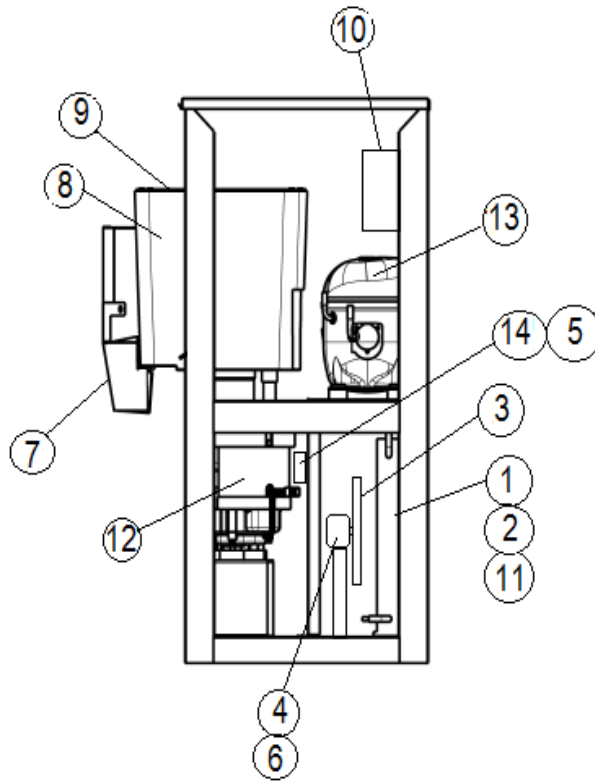


Figure 4.

Item No.	Part No.	Name
1	638000784	CONDENSER
2	638000872	SHROUD FAN
3	7201007	FAN BLADE
4	638003599	BRACKET FAN MOUNTING
5	638006070	TUBE VINYL
6	638000525	FAN MOTOR 115V
7	638031108	DISPENSE MECHANISM (115V)
8	630000717	STORAGE BIN ASSY.
9	N/A	SEE DIAGRAM ON PAGE 12 & CHART ON PAGE 13
10	639-0005-18	ELECTRICAL BOX ASSY. (115V)
11	638032714	AIR FILTER

Item No.	Part No.	Name
12	N/A	SEE DIAGRAM ON PAGE 18 & CHART ON PAGE 19
13	620062997	COMPRESSOR 1/3HP R-134A (115V)
14	638032815	WATER DISPENSE TUBE
*	638032778	1/4 HOSE BARB X 1/4 MPT
*	638031763-002	DRAIN RECEPTACLE ASSY.
*	630900547	WATER LEVEL CONTROL
*	638032762	WATER VALVE (115V)
*	638032777	VALVE NEEDLE 1/4 X 1/4 FEMALE PIPE
*	638004393	DRIER

NOTE: * Not Shown

REFRIGERATION AND FRAME ASSEMBLY IMD 300-30 AND IMD 600-30

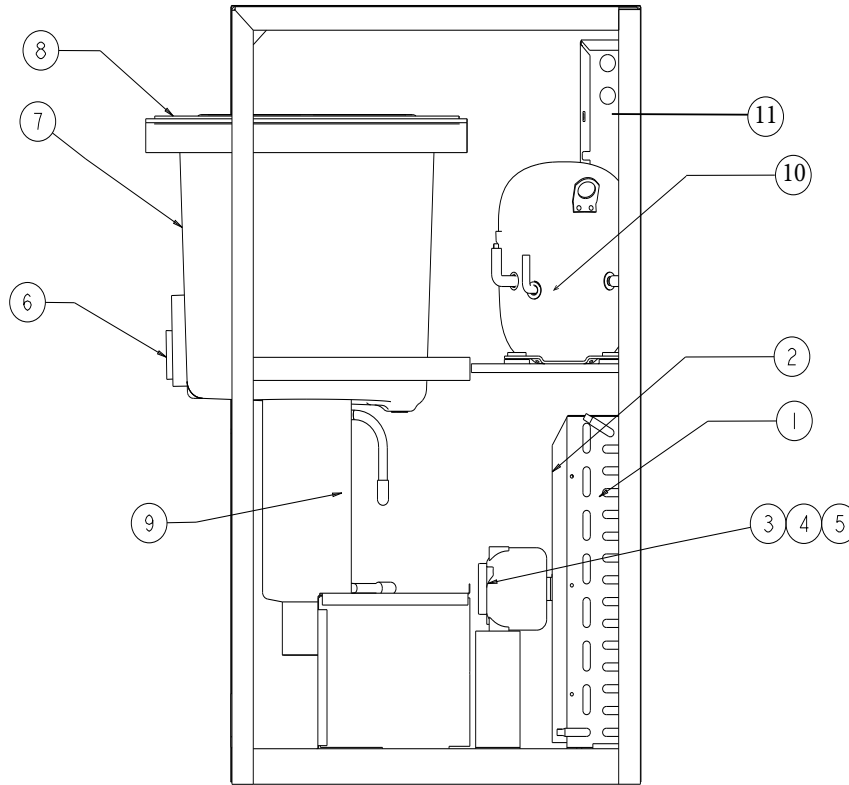


Figure 5.

Item No.	Part No.	Name
1	638004204	CONDENSER AIR COOLED
	638036383	CONDENSER IMD 300 WATER COOLED
	638036272	CONDENSER IMD 600 WATER COOLED
2	638004285	SHROUD FAN
3	638004387	FAN BLADE (IMD 300-30)
	638096723	FAN BLADE (IMD 600-30)
4	638004391	BRACKET FAN MOUNTING
5	638036225	FAN MOTOR 115V(IMD300 -30)
	620067555	FAN MOTOR 115V(IMD 600-30)
6	638031108	DISPENSE MECHANISM (115V)
7	630000716	STORAGE BIN 300-30
	630000715	STORAGE BIN 600-30
8	N/A	SEE DIAGRAM ON PAGE 14& CHART ON PAGE 15

Item No.	Part No.	Name
9	N/A	SEE DIAGRAM ON PAGE 18 & CHART ON PAGE 19
11	638031001	ELECTRICAL BOX ASSY (115V)
*	630900547	WATER LEVEL CONTROL
*	638008943	EXHAUST FAN (WATER COOLED UNITS)
*	638033058	MOUNTING BRACKET EXHAUST FAN
*	620055356 620068902-001	CABLE COMP. (IMD 300-30) CABLE COMP. (IMD 600-30)
*	638031763-002	DRAIN RECEPTACLE ASSY.
*	164980002	VALVE WATER REGULATING (WATER COOLED)
*	638009755	PRESSURE SWITCH (WATER COOLED)
*	638004393	DRIER

NOTE: * Not Shown



Item No.	Description	IMD Series	
		300-30	600-30
10	Compressor	620054548	620068241
*	Start Relay	620054732	620068304
*	Start Capacitor	620055715	620068306
*	Run Capacitor	620055716	620068305

REFRIGERATION AND FRAME ASSEMBLY IMD 600-90

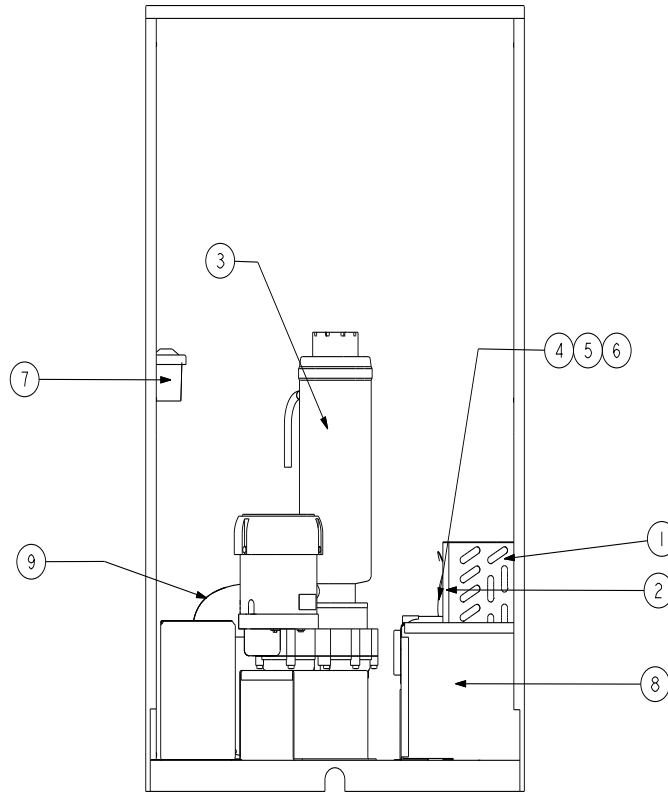


Figure 6.

Item No.	Part No.	Name
1	638036273	CONDENSER AIR COOLED
	638036272	CONDENSER WATER COOLED
2	638090635	SHROUD CONDENSER
3	N/A	SEE DIAGRAM ON PAGE 21 & CHART ON PAGE 22
4	620067555	FAN MOTOR (115V)
5	638090009	BRACKET FAN MOTOR
6	638096723	FAN BLADE
7	630900547	WATER LEVEL CONTROL ASSY.
8	638031001	ELECTRICAL BOX ASSY. (115V)
9	620068241	COMPRESSOR
*	620068304	START RELAY
*	620068305	RUN CAPACITOR
*	620068306	START CAPACITOR

Item No.	Part No.	Name
*	164980002	VALVE WATER REGULATING WATER COOLED
*	638009755	PRESSURE SWITCH WATER COOLED
*	638008943	FAN EXHAUST (115V) WATER COOLED
*	638031832	BRACKET EXHAUST FAN WATER COOLED
*	638031763-002	DRAIN RECEPTACLE ASSEMBLY
*	620068308	COMP E-BOX ASSEMBLY RST70
*	620054255	SLEEVE COMP RST64
*	620054224	GROMMET COMPRESSOR RST64

WATER CONTROL ASSEMBLY AND PARTS LIST IMD 300-15 & IMD 600-90

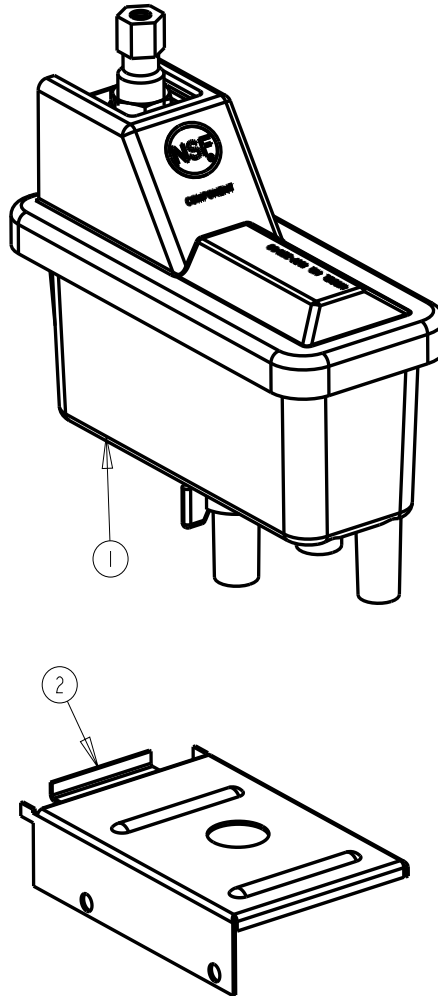


Figure 7.

Item No.	Name	IMD 300-15	IMD 600-90
1	WATER LEVEL CONTROL ASSY.	630900547	630900547
2	BRKT - WATER LEVEL	638030024	638030024
*	REED SWITCH ASSY.(NOT SHOWN)	638008483-06	638008483-03

WATER CONTROL ASSEMBLY AND PARTS LIST IMD 300-30 & IMD 600-30

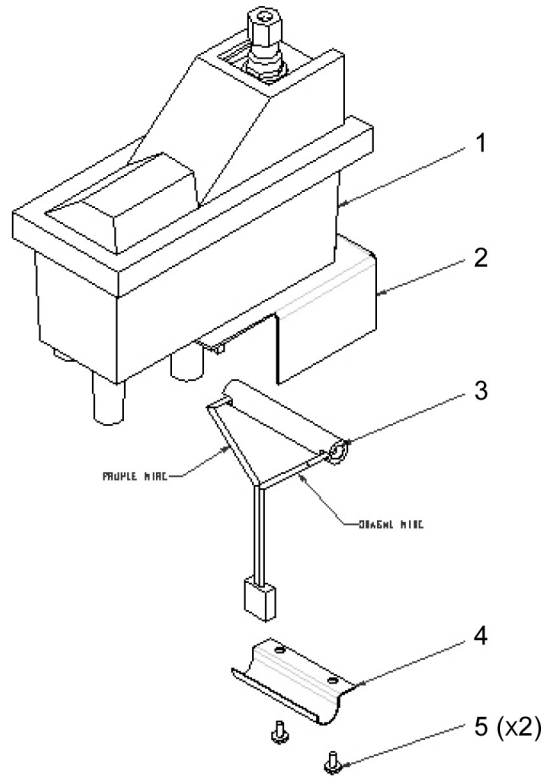
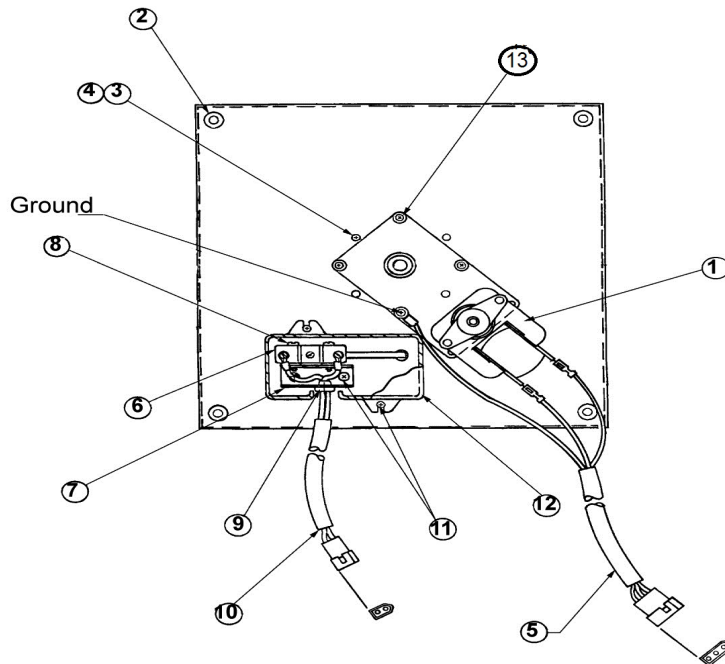


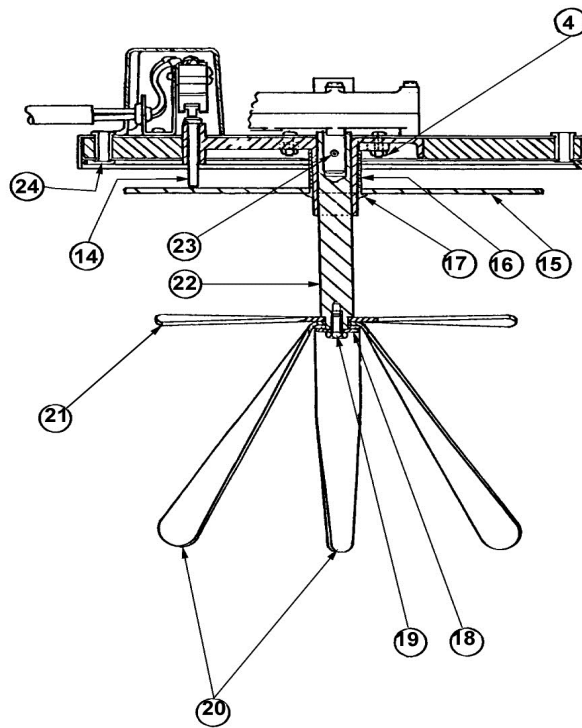
Figure 8.

Item No.	Part No.	Name
1	630900547	FLOAT WATER LEVEL CONTROL
2	638004717	BRKT - WATER LEVEL
3	638008483-01	REED SWITCH ASSY.
4	638008097	CLAMP - REED SWITCH
5	161168017	SCREW - 6-32

ICE LEVEL CONTROL ASSEMBLY IMD 300-15



Top View



Side View

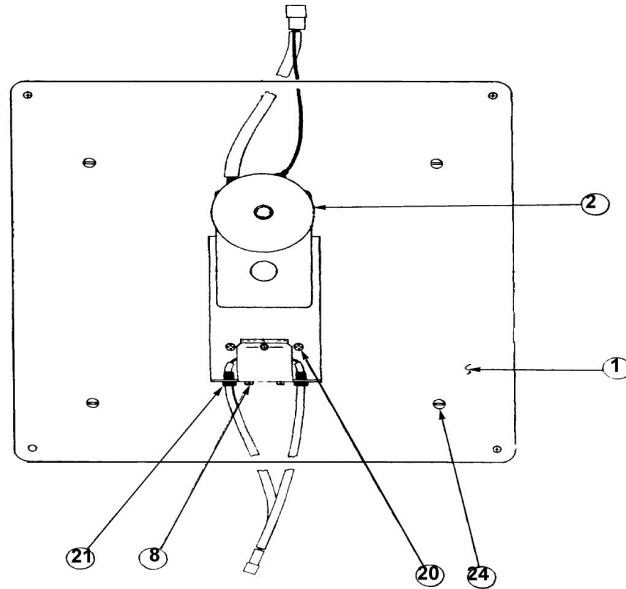
Figure 9.



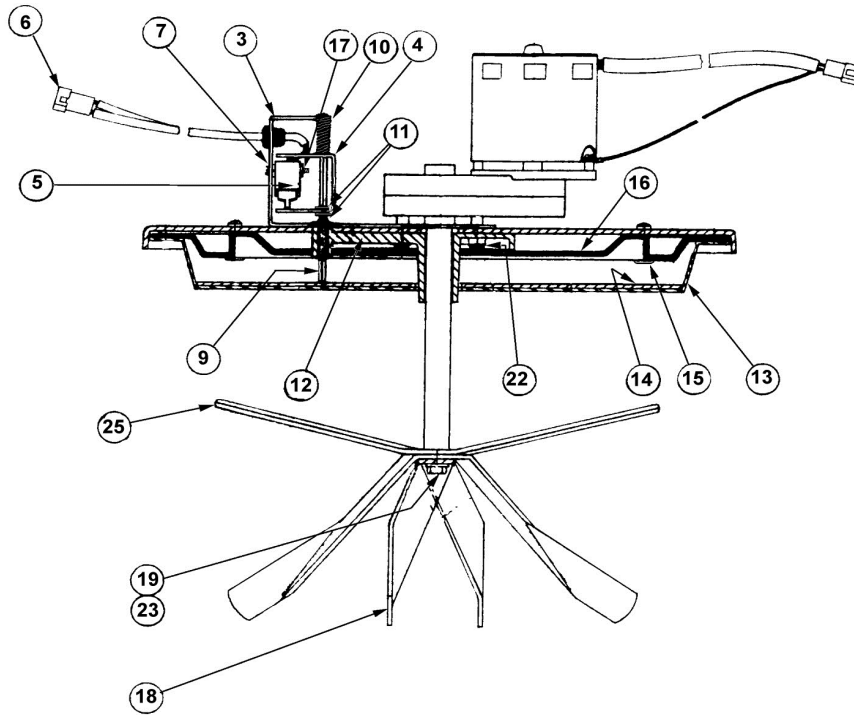
Item No.	Part No.	Name
1	638032760	GEAR MOTOR DISPENSE (115V)
2	638032759	SPACER EYELET
3	638007051-08	SCREW NO.10-32 X 5/8" LONG BHMS
4	638007204-06	NUT NO.10-32 KEPS STAIN-LESS STEEL
5	638032748	CABLE GEAR MOTOR
6	630901565	SWITCH MICRO SINGLE POLE DBL THROW
7	638032745	SWITCH BRACKET
8	638007002-12	SCREW NO.6-32 X 1" LONG
9	638007341-10	STRAIN RELIEF
10	638032771	CABLE ICE LEVEL CONTROL
11	638007009-02	SCREW NO.6 X 3/8" LONG
12	638004001	COVER SWITCH
13	638007026-16	SCREW NO.8-32 X 1-1/2" LONG

Item No.	Part No.	Name
14	638032747	ROD ACTUATOR
15	638032750	ICE LEVEL PLATE
16	638032754	SPACER
17	638032713	PUSH ON RING 1" DIA.
18	638007301-18	WASHER PLAIN FLAT
19	27103	SCREW 1/4-20 X 1/2" LONG
20	638032719	AGITATOR ARM
21	638032718	UPPER AGITATOR PLATE
22	638032761	AGITATOR SHAFT
23	638007345-07	ROLL PIN.125 DIA. X 3/4" LONG
24	638036645	GASKET STRIP 4 PIECES AT 10-3/8" LONG

ICE CONTROL LEVEL ASSEMBLY IMD 300-30 AND IMD 600-30



TOP VIEW ICE LEVEL CONTROL ASSEMBLY IMD 300-30 AND 600-30



SIDE VIEW ICE LEVEL CONTROL ASSEMBLY IMD 300-30 AND 600-30

Figure 10.



Item No.	Part No.	Name
1	638031075	TOP COVER OUTSIDE
2	620047485	DISPENSE MOTOR ASSY. (115V)
3	638031077	SWITCH MOUNTING BRACKET
4	638031011	SWITCH BRACKET
5	638031156	ICE LEVEL SWITCH
6	638011396	BIN CONTROL CABLE
7	638007308-01	WASHER FIBER
8	630900412	SCREW 10-32 X 1 1/4 THUMB NPFS
9	638031010	ROD ACTUATOR
10	638031014	SPRING RETURN
11	638007337-02	E-RING
12	638031146	MOTOR MOUNTING BRACKET
13	638031150	DIAPHRAGM
14	638031147	ICE LEVEL PLATE

Item No.	Part No.	Name
15	638031100-06	RIVNUT FASTENER
16	638031076	TOP COVER INSIDE
17	638007264-02	NUT TINNEMAN TWIN
18	638031078	AGITATOR ARM
19	27103	SCREW 1/4-20 X 1/2" LONG
20	638007002-03	SCREW NO.6-32 X 3/8" LONG
21	07313	STRAIN RELIEF
22	70910	SCREW NO.10-32 X 1-1/4" LONG
23	638007301-18	WASHER
24	638007051-06	SCREW #10-32X3/8"PH CAD PL GFS
25	638031159	UPPER AGITATOR ARM
*	638011620	MAIN POWER CABLE

NOTE: * Not Shown

ICE LEVEL CONTROL ASSEMBLY IMD 600-90

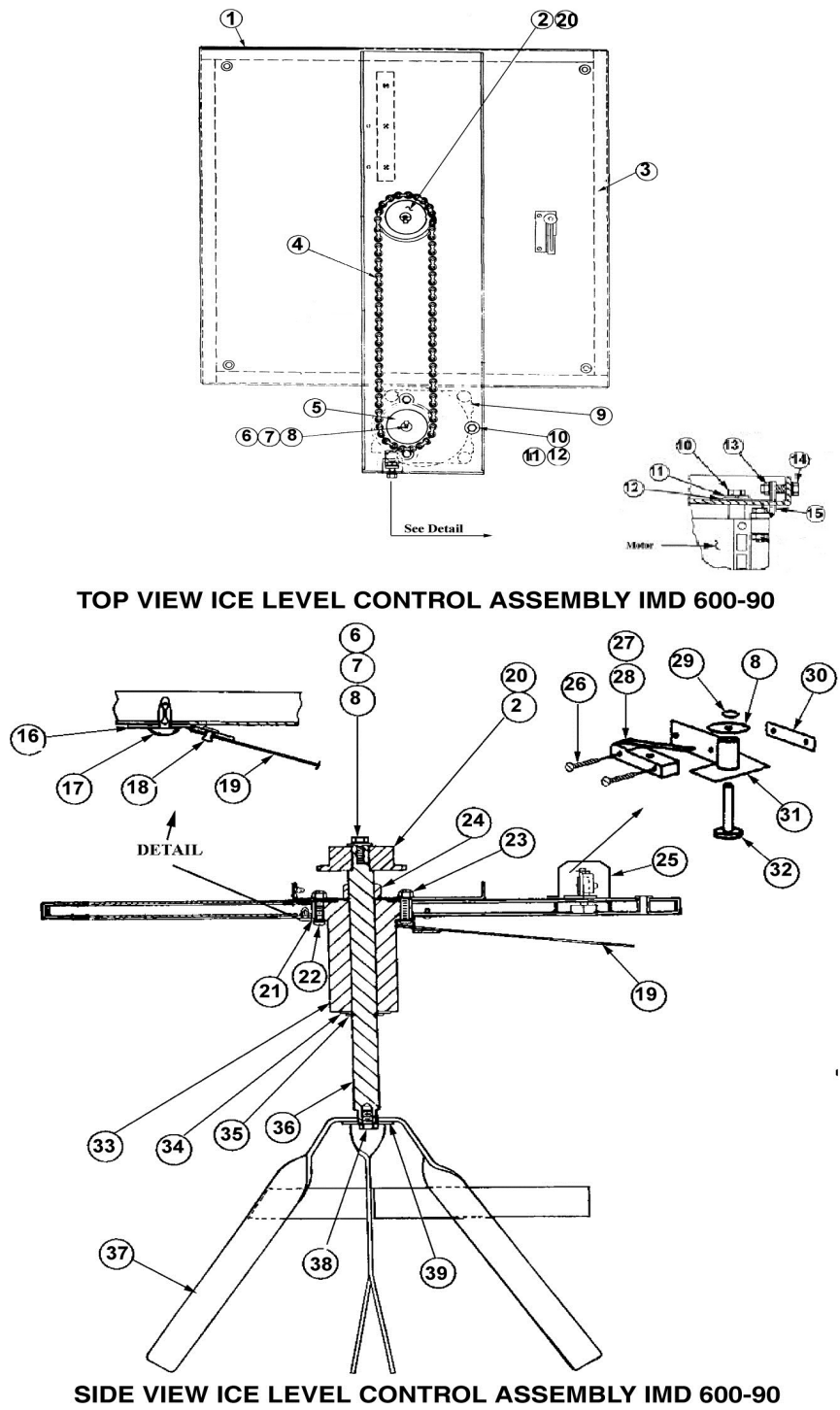


Figure 11.

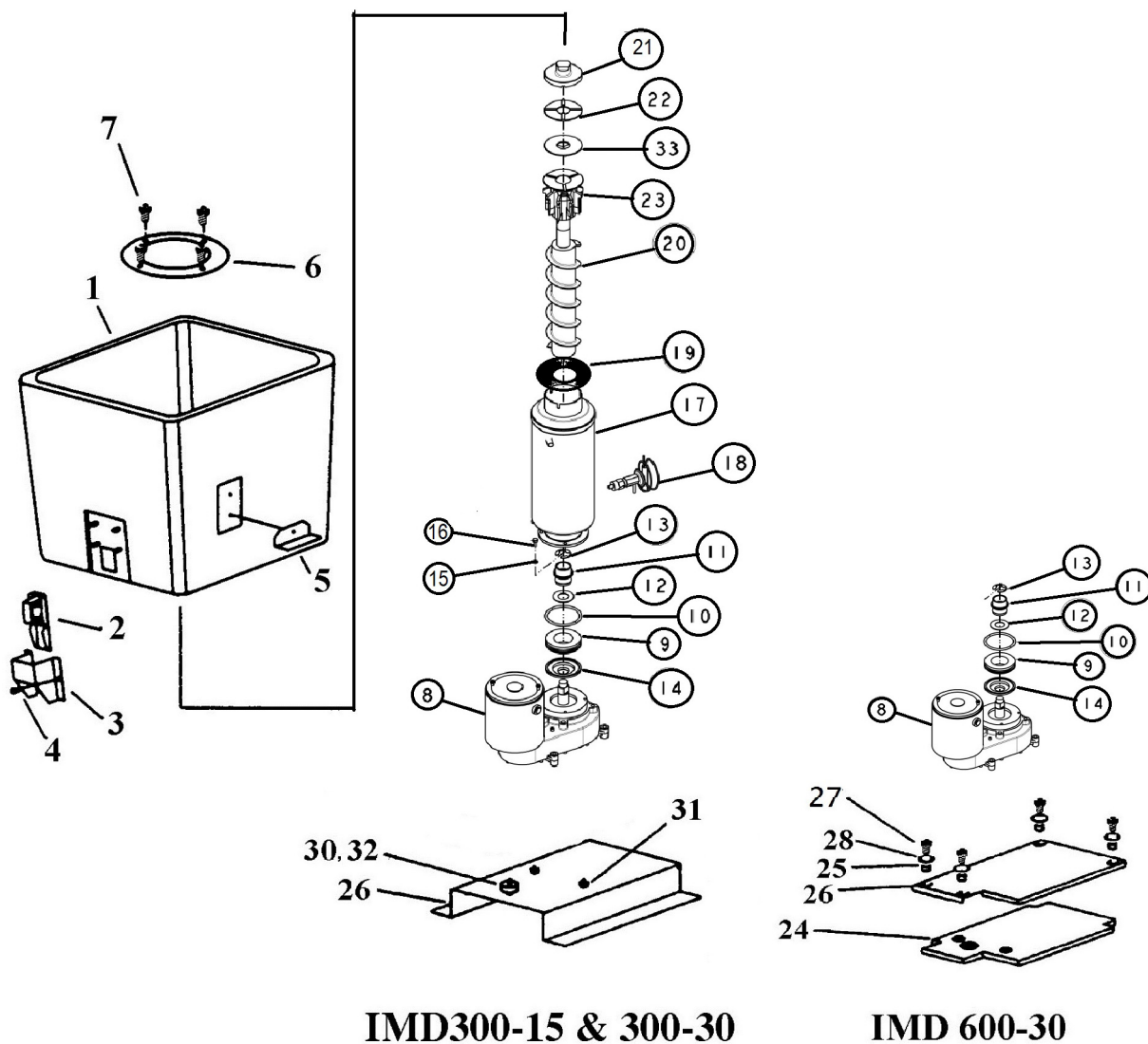


Item No.	Part No.	Name
1	630000714	BIN STORAGE ASY.
2	638036605	SPROCKET 24T
3	638036645	GASKET (UNDERSIDE OF BIN COVER)
4	638009062-02	CHAIN
5	638036604	SPROCKET 20T
6	164083002	NUT HEX 10-32 STZI LOCK
7	638007052-02	SCREW NO.10-32 X 1/2" LONG
8	638000845	NO.10 FLAT WASHER
9	638036587-01	DISPENSE MOTOR ASSY. (115V)
10	638005633	SPECIAL SCREW 1/4-20 X 9/16" LONG
11	00885	WASHER 1/4 EXTERNAL TOOTH
12	168833002	FLAT WASHER
13	164083003	NUT HEX 1/4-20 STZI LOCK
14	638007088-06	SCREW 1/4-20 X 3/4" LONG
15	638036651	TENSION BRACKET MOTOR
16	638036577	HINGE ICE CONTROL
17	724576	RIVET.130 DIA PLASTIC 1/16GRP
18	164005001	POP RIVET
19	638036938	PLATE ICE CONTROL
20	638036123	KEY SQUARE DRIVE
21	638036603	SPACER HUB
22	70910	SCREW NO.10-32 X 1-1/4" LONG
23	638007201-10	NUT NO.10-32

Item No.	Part No.	Name
24	638047377-001	COLLAR SHAFT.75 I.D.
25	638004001	SWITCH COVER
26	630900412	SCREW 10-32 X 1 1/4 THUMB NPFS
27	630901565	SWITCH MICRO SINGLE POLE DBL THROW
28	638001662	SWITCH INSULATOR
29	638007337-03	E-RING
30	638007264-02	TINNERMAN NUT TWIN
31	638032571	SWITCH MOUNTING BRACKET
32	638032567	ACTUATING PIN ICE LEVEL
33	638036910	HUB-AGITATOR SHAFT
34	638007301-039	FLAT WASHER
35	638040033	RETAINING RING
36	638033798	SHAFT, AGITATOR
37	638036923	AGITATOR BLADE ASSEMBLY
38	27103	SCREW 1/4-20 X 1/2" LONG
39	638007301-18	FLAT WASHER
*	163424000	STRAIN RELIEF
*	638011665	JUMPER WIRE ICE LEVEL SWITCH

NOTE: * Not Shown

BIN AND FRONT END ASSEMBLY IMD300-15, IMD300-30 & IMD600-30



IMD300-15 & 300-30

IMD 600-30

Figure 12.

Item No.	Name	IMD Series		
		300-15	300-30	600-30
1	STORAGE BIN ASSEMBLY	630000717	630000716	630000715
2	DISPENSE MECHANISM (115V))	638031108	638031108	638031108
3	ICE CHUTE, UPPER	638032513	620066646	620066646
4	NUT NO.8-32 ESNA	638007201-03	638007201-03	638007201-03
5	CLIP RETAINER	638032741	638032034	638032034
6	RETAINER RING	630900769	630900769	630900765



7	SCREW 1/4-20 X 3/4" LONG HHMS	161179001	161179001	161179001
8	GEAR MOTOR (115V) (SEE NOTE)	638090001	638090001	638090001
9	SHAFT SEAL MOUNT	N/A	N/A	638090215
10	O-RING 3/16 X 1-1/2"	N/A	N/A	638031027
11	SEAL SHAFT MECHANISM	638090051	638090051	638090051
12	WASHER LOWER	N/A	N/A	638007301-030
13	E-RING	638090053	638090053	638090053
14	SHAFT SEAL SEAT	638090116	638090116	638090216
15	WASHER LOCK 1/4 SPLIT	168833000	168833000	168833000
16	SCREW 1/4-20 X 3/4" LONG	63807088-06	638007088-06	638007088-06
17	EVAPORATOR ASSEMBLY	630000633	630000633	630000650
18	EXPANSION VALVE	620070053	620068260	620068259
19	GASKET, HOPPER/EVAPORATOR	630900766	630900766	630900764
20	AUGER D-DRIVE	638090113	638090113	638090213
21	AUGER NUT	638090111-002	638090111-002	638090211-002
22	BEARING NYLON	638090119	638090119	638090219
23	EXTRUDING HEAD ASSEMBLY	630900609	630900609	630900608
24	ISO-PAD	N/A	N/A	6380995111
25	SPACER	N/A	N/A	638000981
26	BRACKET, FRONT END ASSEMBLY	638032723	638031511	638031517
27	SCREW NO.10 X 3/4" LONG TYPE B	N/A	N/A	638007972-03
28	WASHER FLAT	N/A	N/A	638000845
30	VIBRATION MOUNT, 5/16-18 STUD	638007504	638007504	N/A
31	GROMMET	6380K1008	6380K1008	N/A
32	NUT-KEPS 5/16-18	638007204-07	638007204-07	N/A
33	BEARING-DELTRIN	638090120	638090120	638090220
*	CABLE ASSEMBLY, GEAR MOTOR 115V	638032797	638011645	638011645

NOTE: If gear motor needs replacement it is recommended to replace other items as well. The kit numbers below describe what is included with the kits available from Cornelius.

Kit No.	Includes
638090050-002	Gear Motor 638090001, items 11 & 13, item 14 shaft seal part no. 638090116
638090050-003	Gear Motor 630900531, items 11 & 13, item 14 shaft seal part no. 638090116
638090050-005	Gear Motor 630900422, items 11 & 13, item 14 shaft seal part no. 638090116
638090050	Gear Motor 638090001, items 9, 10, 11, 12 & 13, item 14 shaft seal part no. 638090216
638090050-004	Gear Motor 630900531, items 9, 10, 11, 12 & 13, item 14 shaft seal part no. 638090216
638090050-006	Gear Motor 630900422, items 9, 10, 11, 12 & 13, item 14 shaft seal part no. 638090216

BIN AND FRONT END ASSEMBLY IMD600-90

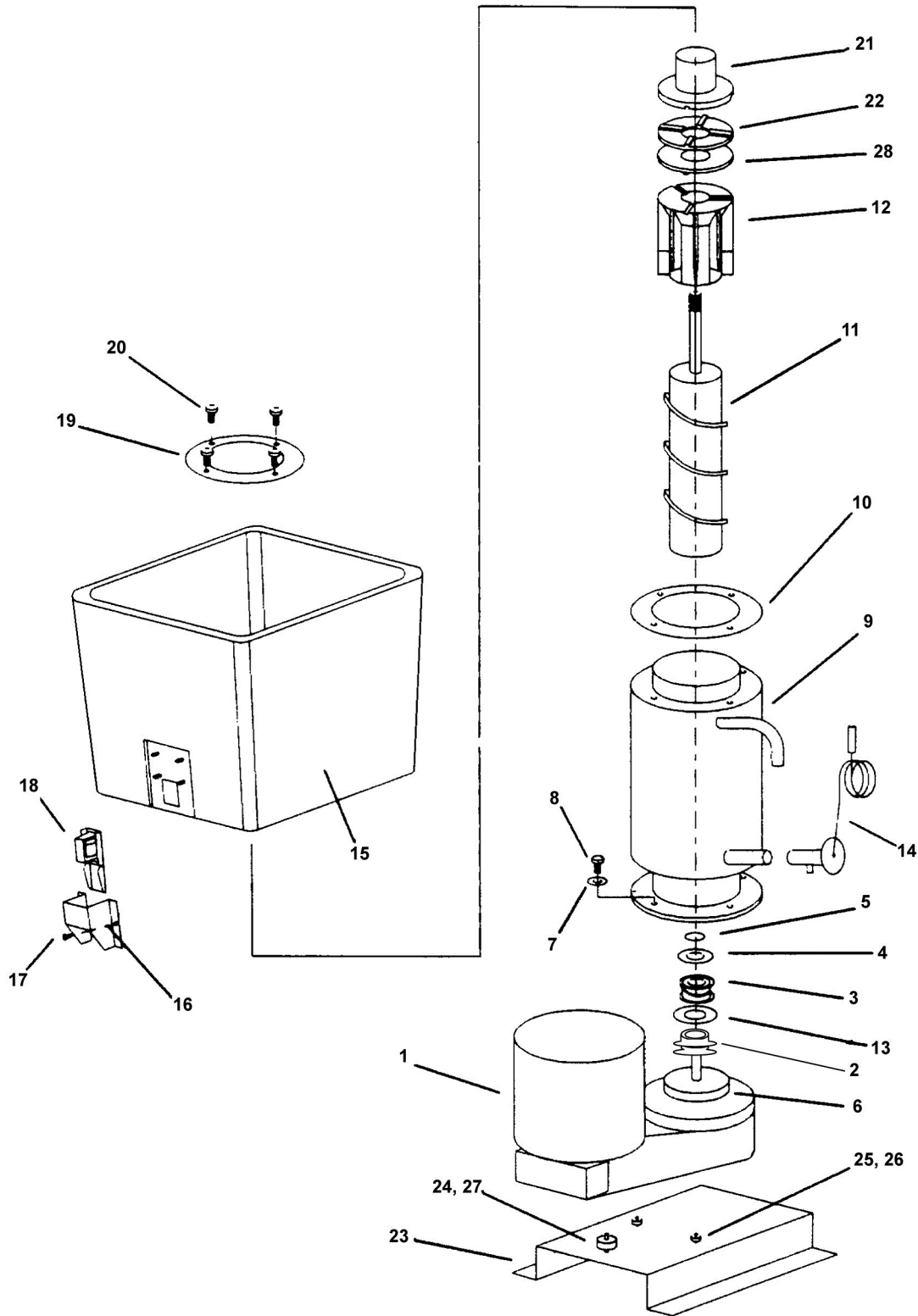


Figure 13.



Item No.	Part No.	Name
1	638090001	GEAR MOTOR (115V) SEE NOTE
2	638090215	SHAFT SEAL MOUNT
3	638090051	SEAL SHAFT MECHANISM
4	638007301-030	WASHER LOWER BEARING
5	638090053	E-RING
6	638090216	SEAT SHAFT SEAL
7	168833000	WASHER LOCK 1/4 SPLIT
8	638007088-06	SCREW 1/4-20 X 1/2" LONG
9	630000650	EVAPORATOR ASSEMBLY
10	630900764	GASKET HOPPER/EVAPORATOR
11	638090213	AUGER 2-1/2" D-DRIVE
12	630900608	EXTRUDING HEAD ASSEMBLY 2-1/2"
13	638031027	O-RING 3/16 X 2" I.D
14	620071021	VALVE THERMAL EXPANSION
15	630000714	STORAGE BIN ASSEMBLY

Item No.	Part No.	Name
16	638032287	ICE CHUTE
17	638007201-03	NUT NO.8-32
18	638031108	DISPENSE MECHANISM ASSY. (115V)
19	630900765	RETAINER RING STORAGE BIN
20	638007088-06	SCREW 1/4-20 X 7/8" LONG
21	638090211-002	AUGER NUT
22	638090219	BEARING NYLON
23	638032514	BRACKET FRONT END ASSEMBLY
24	638007504	VIBRATION MOUNT 5/16-18 STUD
25	6380K1008	GROMMET
26	164083002	NUT-KEPS NO.10-32
27	638007204-07	NUT-KEPS 5/16-18
28	638090220	BEARING DELRIN
*	638011645	CABLE ASSEMBLY GEAR MOTOR 115V

NOTE: NOTE SHOWN

NOTE: If gear motor needs replacement, replacement of the other items in the kit is also recommended. The kit numbers in the table below describe what is included in the kits available from Cornelius.

Kit No.	Includes
638090050	Gear Motor 638090001, items 2, 3, 4, 5, 6 & 13
638090050-004	Gear Motor 630900531, items 2, 3, 4, 5, 6 & 13
638090050-006	Gear Motor 630900422, items 2, 3, 4, 5, 6 & 13

ELECTRICAL BOX ASSEMBLY IMD 300-15

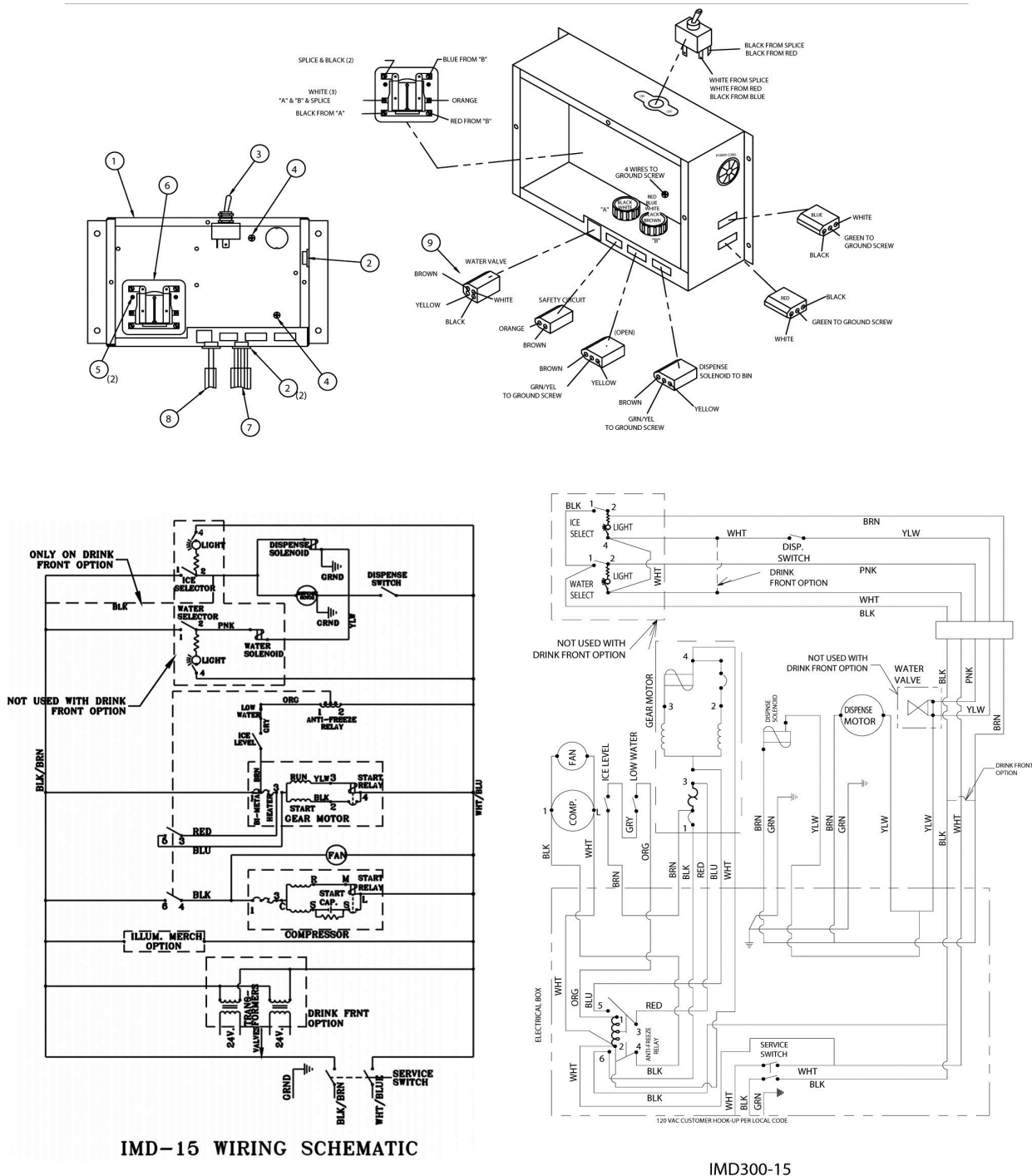


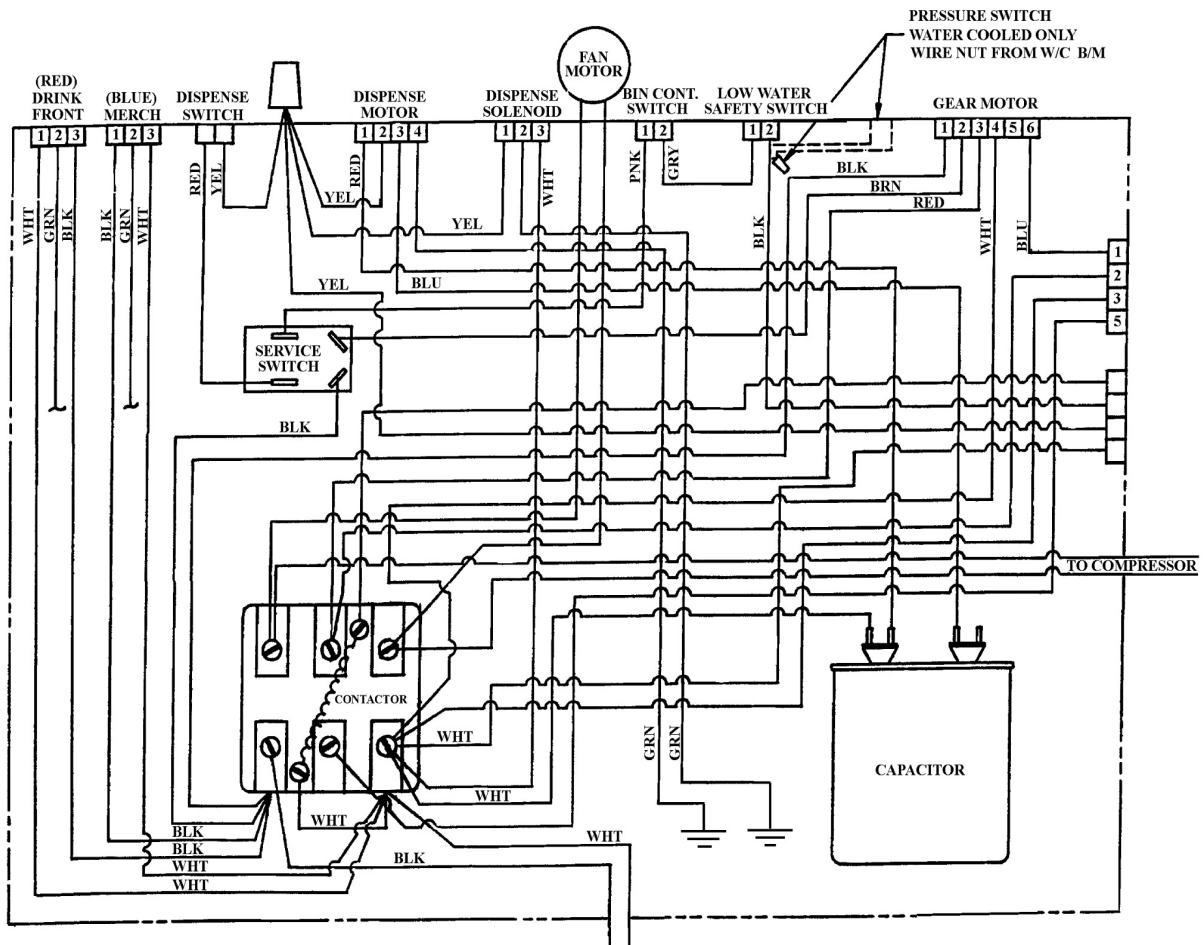
Figure 14

Item No.	Part No.	Name
1	638032795	ELECTRICAL BOX
2	163529000	BUSHING
3	638004791	SWITCH TOGGLE
4	638007051-06	SCREW NO.10-32 X 3/8"
5	638007030-02	SCREW NO.8 X 5/8"
6	638004402	RELAY 115V
7	638032798	CABLE, GEAR MOTOR

Item No.	Part No.	Name
8	638032798	CABLE, COMPRESSOR
*	638032820	CABLE, SAFETY CIRCUIT
*	630300242	MAIN WIRE HARNESS 115V

NOTE: : * NOT SHOWN

ELECTRICAL BOX ASSEMBLY IMD 300-30, IMD 600-30 AND IMD 600-90



Electrical Box Assembly IMD300-30, IMD600-30 and IMD600-90

Figure 15.

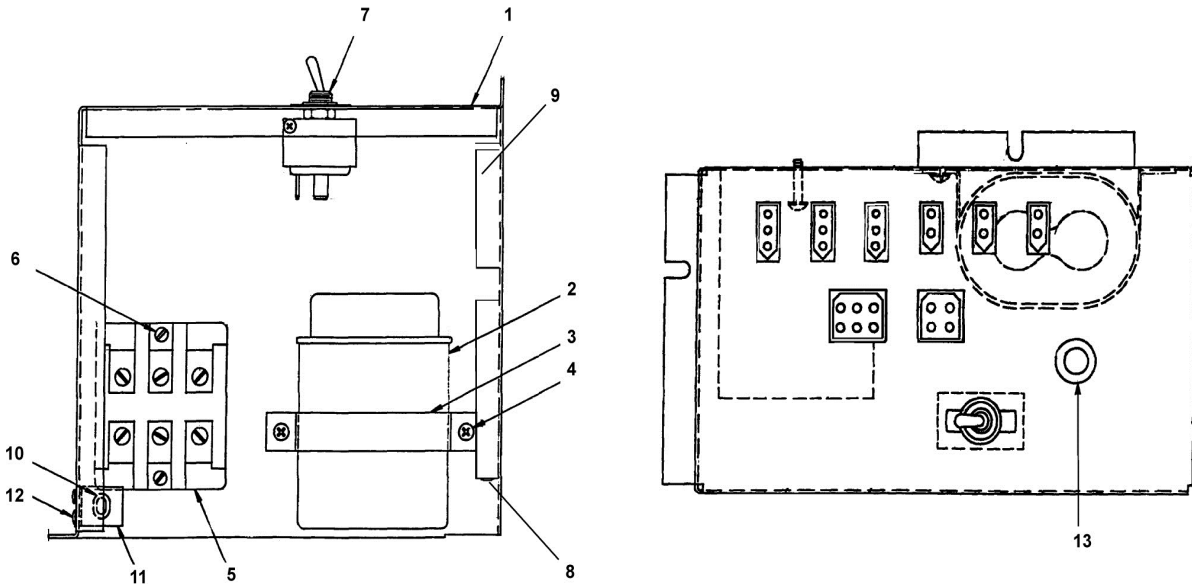


Figure 16.

Item No.	Part No.	Name
1	638031001	ELECTRICAL BOX
2	638035039	CAPACITOR RUN (IMD600-90 & IMD602-90)
	638031003	CAPACITOR RUN (IMD300-30 & IMD600-30)
	638031205	CAPACITOR RUN (IMD301-30, IMD302-30, IMD601-30, & IMD602-30)
3	630200166	BRACKET, CAPACITOR
4	07578	SCREW NO. 8-32 X 318"
5	638090052	CONTACTOR 3-POLE (115V/60HZ)
6	630900111	SCREW NO. 8-32 X 314"
7	638004791	SWITCH TOGGLE
8	638031498	TIMER AUGER DELAY 60 SEC 115/60HZ

Item No.	Part No.	Name
9	638031796	CONT. TIMER DELAY (115V/60HZ)
10	163424000	STRAIN RELIEF
11	638031129	BRACKET, STRAIN RELIEF
12	164005001	POP RIVET
13	630900209	BUSHING
14	630300210	WIRE HARNESS (115V/60HZ) NOTE: WIRE HARNESS ASSEMBLIES INCLUDE ALL CONNECTORS, TERMINALS AND WIRES INTERNAL TO THE ELECTRICAL BOX.
*	638031084	FRONT COVER ELECT. BOX (IMD300-30 & IMD600-30)
	638031738	COVER ELECT. BOX (IMD600-90)
*	638031737	SIDE COVER

NOTE: * Not Shown



REFERENCE CABLE ASSEMBLY PART NUMBERS EXTERNAL TO ELECTRICAL BOX

Item No.	Part No.	Name
*	638011582	CABLE ASSY. ICE LEVEL (IMD600-90 SERIES ONLY)
*	638008483-01	SW. REED ASSY. (IMD300-30 SERIES, IMD600-30 SERIES)
	638008483-03	SW. REED ASSY. (IMD600-90 SERIES)
	638008483-06	SW. REED ASSY. (IMD600-90 SERIES)
*	638011620	CABLE ASSY. MAIN JUMPER (IMD300-30 SERIES, IMD600-30 SERIES)
	638011584	CABLE ASSY. MAIN JUMPER (IMD600-90 SERIES)
*	638011645	CABLE ASSY. TRANS 5 WIRE (115V)
*	638011620	CABLE ASSY. MERC. JUMPER

NOTE: * Not Shown.

DISPENSE MECHANISM ASSEMBLY IMD 300-15, IMD 300-30, IMD 600-30 & IMD 600-90

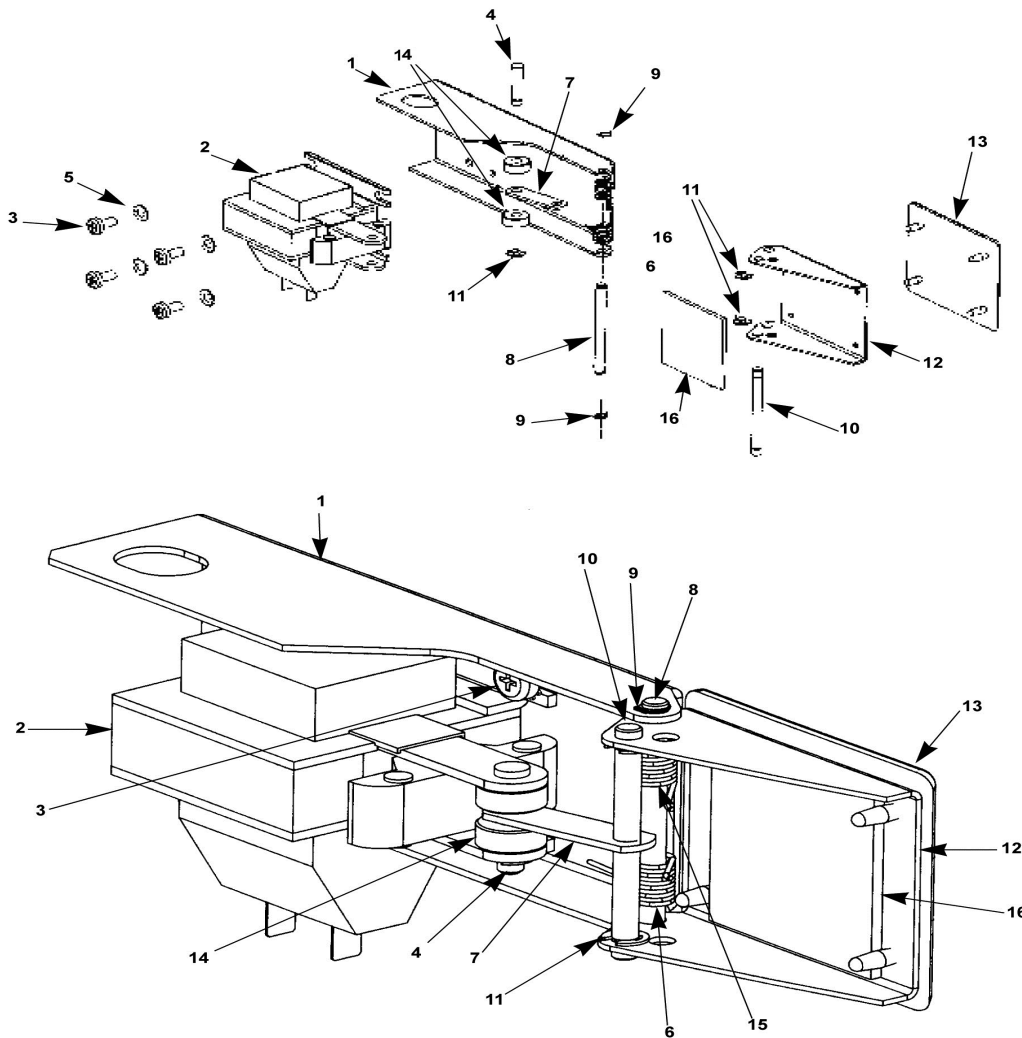


Figure 17.

Item No.	Part No.	Name
1	638031035	BRACKET SOLENOID MOUNTING (115V)
2	638010081	SOLENOID (115V)
3	638007051-02	SCREW NO. 10-32 X 3/8"
4	638031007	PIN LINKAGE
5	70045	WASHER SR SS
6	638004443	SPRING TORSION LOWER
7	638031006	LINK DOOR MECHANISM
8	638004416	PIN PIVOT

Item No.	Part No.	Name
9	638007338-01	RING RETAINER
10	638004417	PIN DRIVE
11	638007337-02	RETAINER E-RING
12	638031036-001	DOOR IMD
13	638031002	GASKET DOOR
14	638000981	SPACER
15	638004418	SPRING TORSION UPPER
16	50326	INSULATION

GEAR MOTOR ASSEMBLY WIRE DIAGRAM

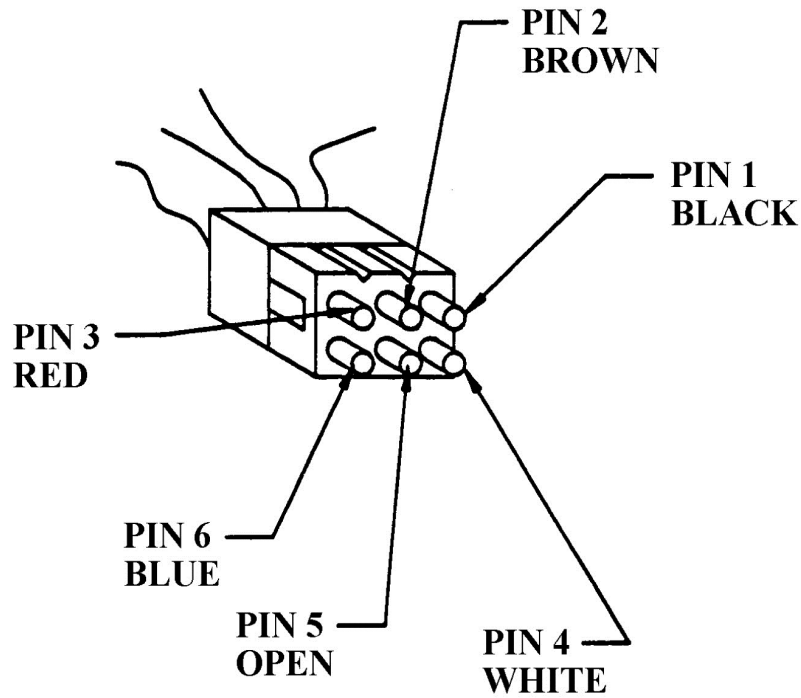
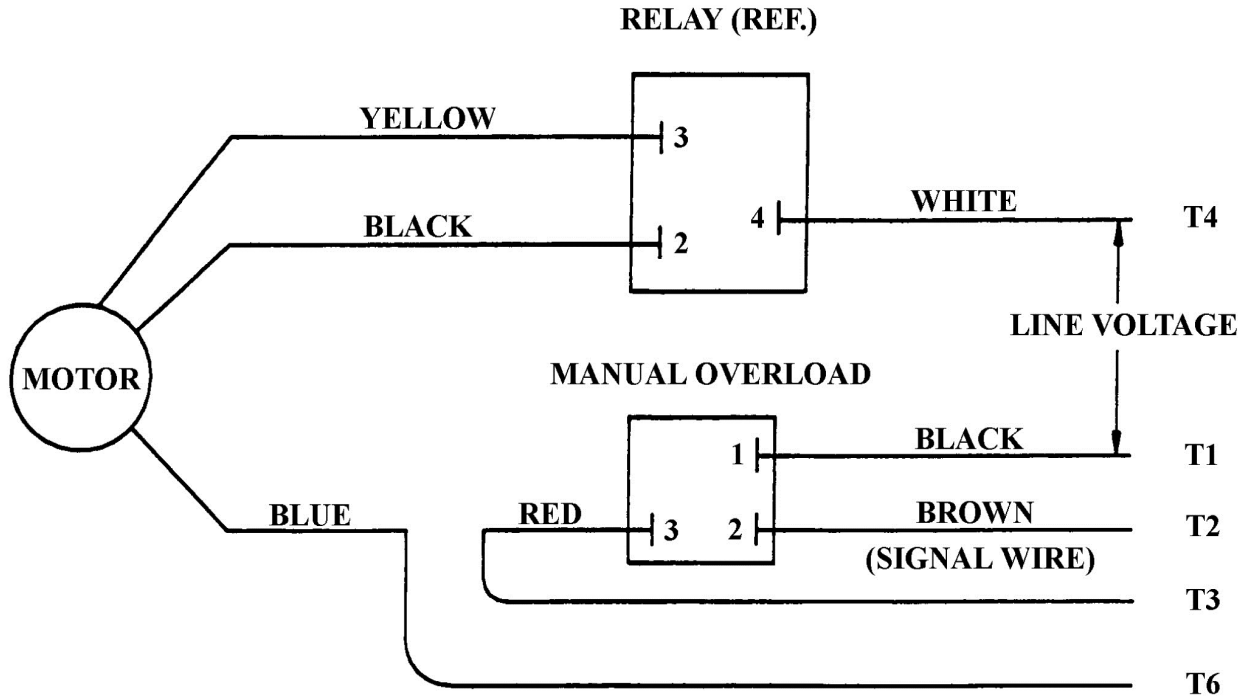


Figure 18.

Cornelius Inc.
www.cornelius.com